

Universal milling frame

Universal milling frame

as well fitting installation aid for SIMONSWERK templates



Notes

Fitting instructions

1. Secure the clamping device to the routing frame using the clamp rods.
2. Roughly adjust the clamping device according to rebate construction and fix in place with fastening screws.
3. Place the milling frame on the workpiece.
4. Insert template and roughly adjust using the standard values given for rail and angle.
5. Carry out fine adjustment using spindles.
6. Clamp routing frame to workpiece with clamping wheel.

Scope of supply

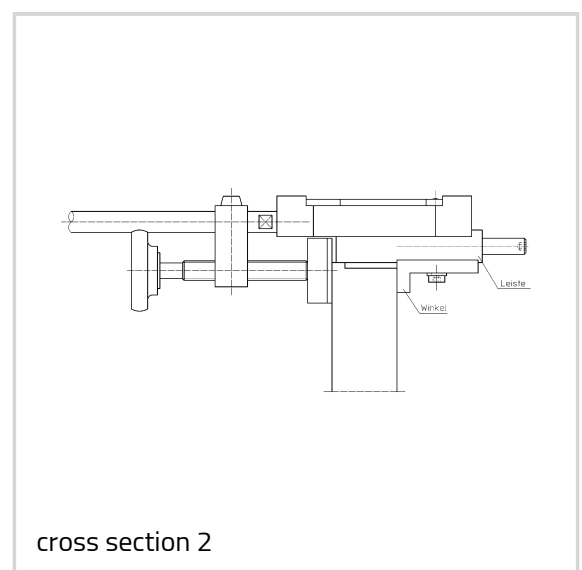
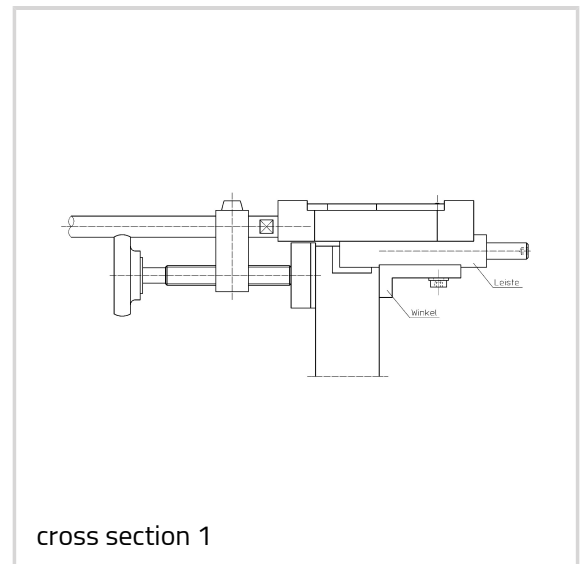
- 1 x universal frame
- 1 x clamping device

Note

Templates need to be ordered separately.

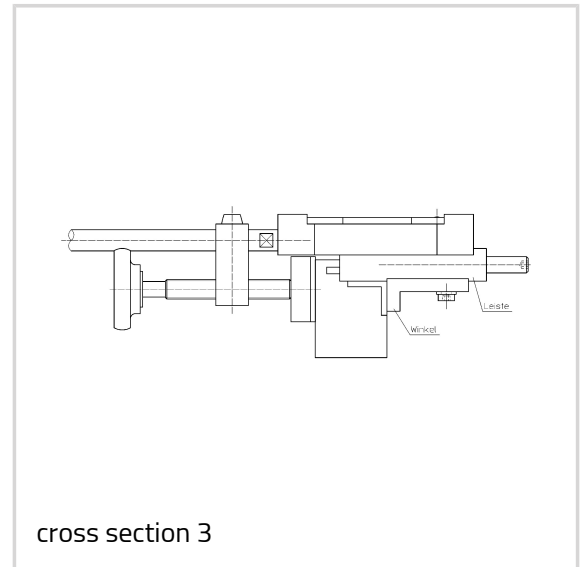
datasheet.headline.forApplications

- TE 240 3D
- TE 340 3D
- TE 526 3D
- TE 527 3D
- TE 540 3D
- TE 640 3D



Universal milling frame

TE 380 3D
 TE 311 3D FVZ 40
 TE 311 3D FVZ 44
 TE 541 3D FVZ
 TE 540 3D A8
 TE 640 3D A8
 TE 626 3D A8
 TE 240 3D Energy
 TE 340 3D Energy
 TE 526 3D Energy
 TE 527 3D Energy
 TE 540 3D Energy
 TE 640 3D Energy
 TE 540 3D A8 Energy
 TE 640 3D A8 Energy
 TE 626 3D A8 Energy
 TE 340 3D FR
 TE 540 3D FR
 TE 640 3D FR
 TE 540 3D A8 FR
 TE 640 3D A8 FR
 TEG 310 2D 60
 TEG 310 2D 80
 AN 161 3D FVZ 14/40
 KCM 50
 KCM 50/50
 KCM 50/H
 VX 7939/100
 VX 7939/100 FD
 VX 7939/120
 VX 7939/160 Planum
 VX 7939/160 FD Planum
 VX 7939/160 18-3
 VX 7939/160 18-3 FD
 VX 7939/160
 VX 7939/160 ZK
 VX 7939/160 FD
 VX 7939/160-4 FD 18/5
 VX 7939/160 S
 VX 7939/160 FD S
 VX 7939/160 S WK MST5
 VX 7939/160 FD S WK MST5
 VX 7939/160-4



Universal milling frame

VX 7939/160-4 FD
VX 7939/160-4 FD 18/12
VX 7939/160-4 Bronze
VX 7939/160-4 Bronze FD
VX 7939/160-4 VBRplus
VX 7939/160-4 FD VBRplus
VX 7099 Finger Protection
VX 8939/160
VX 7728/100
VX 8849/160
VX 7728/120
VX 7859/120
VX 7728/160
VX 7859/160-4
VX 7859/160-4 FD
VX 7859/160-4 FD 18/12
VX 7729/100
VX 7729/120
VX 7729/160-4 HA MSTs with
VX 7531 3D and VX 7561 KK
VX 7729/160-4 HA MSTs with
VX 7531 3D and VX 7561 KR
VX 7729/160 Planum
VX 7729/160 18-3
VX 7729/160
VX 7729/160-4
VX 7749/160-4 40 Care
VX 7749/160-4 45 Care
VX 7749/160-4 50+65 Care
VX 7749/160-4 70 Care
VX 7729/160-4 Bronze
VX 7729/160-4 VBRplus
VX 2501 3D N
VX 7501 3D
VX 7531 3D
VX 2502 3D N
VX 7502 3D
VX 7532 3D
VX 2505 3D N
VX 7505 3D
VX 7535 3D
VX 2560 KK N
VX 2560 RK N
VX 2560 KR N

Universal milling frame

VX 2560 RR N
VX 2570 KK N
VX 2570 KR N
VX 2570 RR N
VX 7560 KK
VX 7560 RK
VX 7560 KR
VX 7560 RR
VX 7561 KK
VX 7561 KR
VX 7570 KK
VX 7570 RK
VX 7570 KR
VX 7571 KK
VX 2580 N
VX 2590 N
VX 7580
VX 7581
VX 7590
VX 7591
VN 1939/100
VN 3839/100
VN 1937/120 Compact
Planum
VN 1939/120
VN 1937/160 Compact
Planum
VN 1939/160
VN 1939/160 FD
VN 3838/160
VN 3838/160 FD
VN 2828/100
VN 2828/120
VN 5959/120
VN 2828/160
VN 5959/160
VN 2929/100
VN 3949/100
VN 2927/120 Compact
VN 2927/120 Compact
Planum
VN 2929/120
VN 3848/160
VN 3948/160

Universal milling frame

VN 2927/160 Compact
Planum
VN 2929/160
VN 2929/160 Planum
VN 2927/160 Compact
VN 3939/100
VN 3939/100 FD
VN 4739/100
VN 3938/160
VN 8939/100 M
VN 8939/100 FD M
VN 8938/160
VN 8938/160 FD
VN 8849/100 M
VN 8948/160
VN 3737/160 Compact
VN 3738/160
VN 3738/160 FD
VN 8937/160 U Compact
VN 8938/160 U
VN 8938/160 U FD
VN 3747/160 Compact
VN 3748/160
VN 8947/160 U Compact
V 0030
V 0080
V 0081
V 0037 WF
V 0037 WF FD
V 0037 WF S
V 0037 WF FD S
V 0086 WF
V 0087 WF
V 4437 WF ZK
V 0037 WF FV
V 0037 WF FV S
V 8535
V 7888 WF
V 7888-32 WF
V 7601 3D
V 7602 3D/1
V 7602 3D/3
V 7502 3D

Universal milling frame

Butt hinge QR 70
Butt hinge QR 100
Butt hinge QR 100 WF ZK
Door security bolt no. 205
Door security bolt no. 206
Door security bolt no. 207

Item versions

Finish	without (000)
OF-No.	000
VPE	pack of 1
DIN	DIN right and left hand
Article number	5 250930 0 00001
EAN	4015471041427