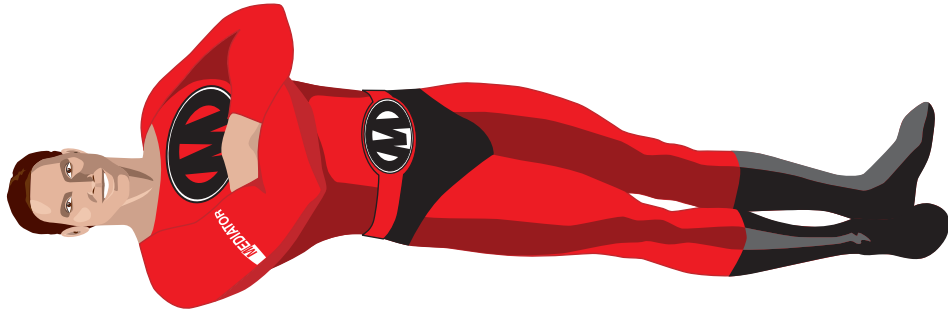


The MEDIATOR linear electric door strike has been especially developed for this lock solution. The MEDIATOR linear electric strike is motor-driven and fulfils all requirements for use in busy apartment buildings.

### Overview of Advantages

- The entrance door is always locked - day and night.
- Despite being permanently locked, the building can be exited through the entrance door at all times.
- If visitors should arrive late or early morning, the locked entrance door can be easily opened from inside apartments.

Technical data	
Voltage	12 V DC
Height	356,00 mm
Width	24,00 mm
Striking plate thickness	3,00 mm
Bolt throw	20,00 mm
Unlocking time	3,00 s
Break-in resistance	6000 N
Operating temperature range	-20 °C to +60 °C
Spacing between faceplate and striking plate	Min. 2 mm to max. 5,5 mm
Fix adjustment	Yes
Fix adjustment range	3 mm
Max. preload unlocking	80 N
Permanent unlocking system	Yes
Input operating voltage	12 V DC
Control current	5 V to 48 V AC/DC
Rated current consumption	500 mA
Monitoring contact door locked/closed	Max. 30 V DC, 500 mA
Monitoring contact door unlocked/accessible	Max. 30 V DC, 500 mA
<hr/>	
Article number	
65-----31A35E91	



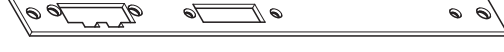
65-----36A35E91



65-----34A35E91



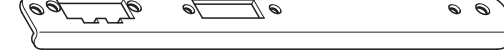
65-----30A35E91



65-----31A35E91



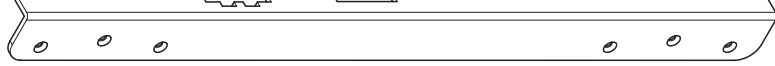
65-----32A35E95



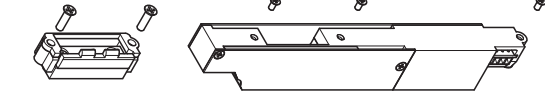
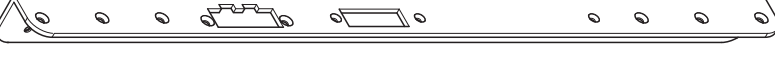
65-----32A35E94



65-----64A35E95

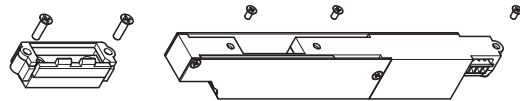


65-----64A35E94

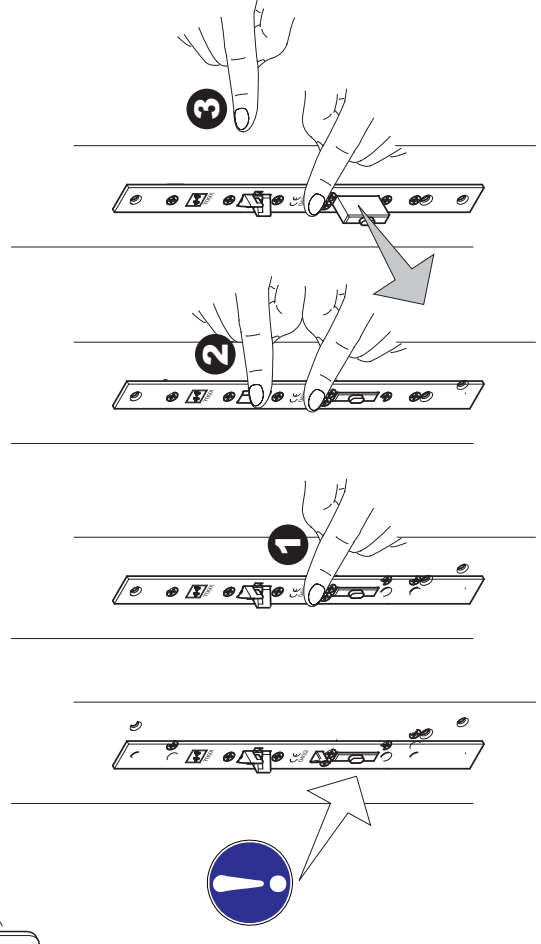
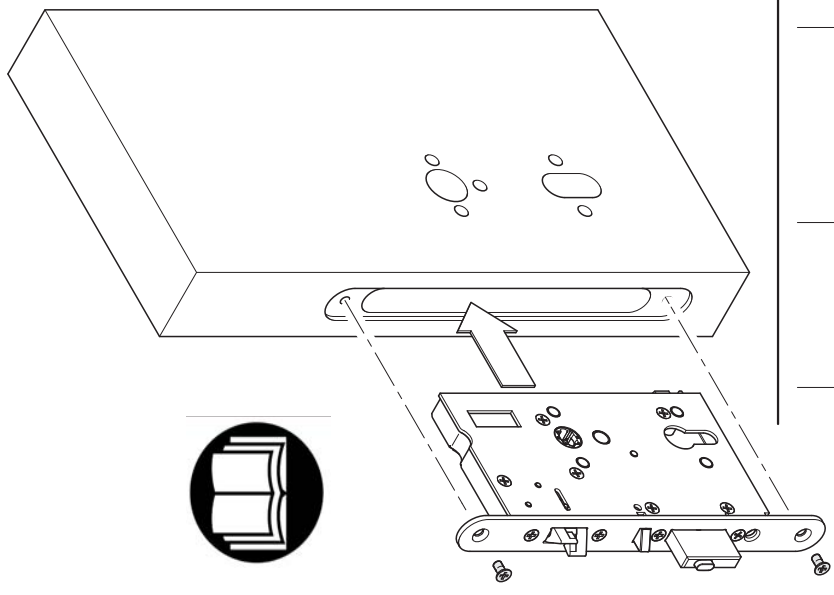
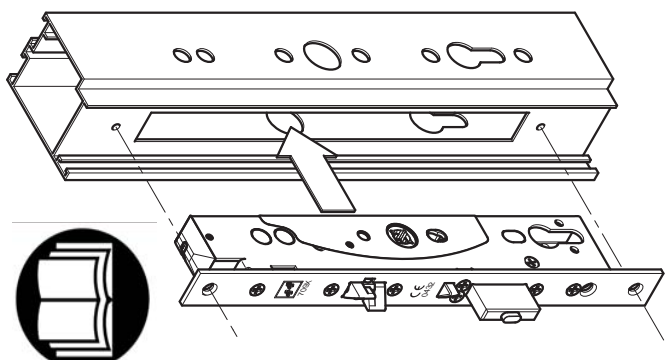
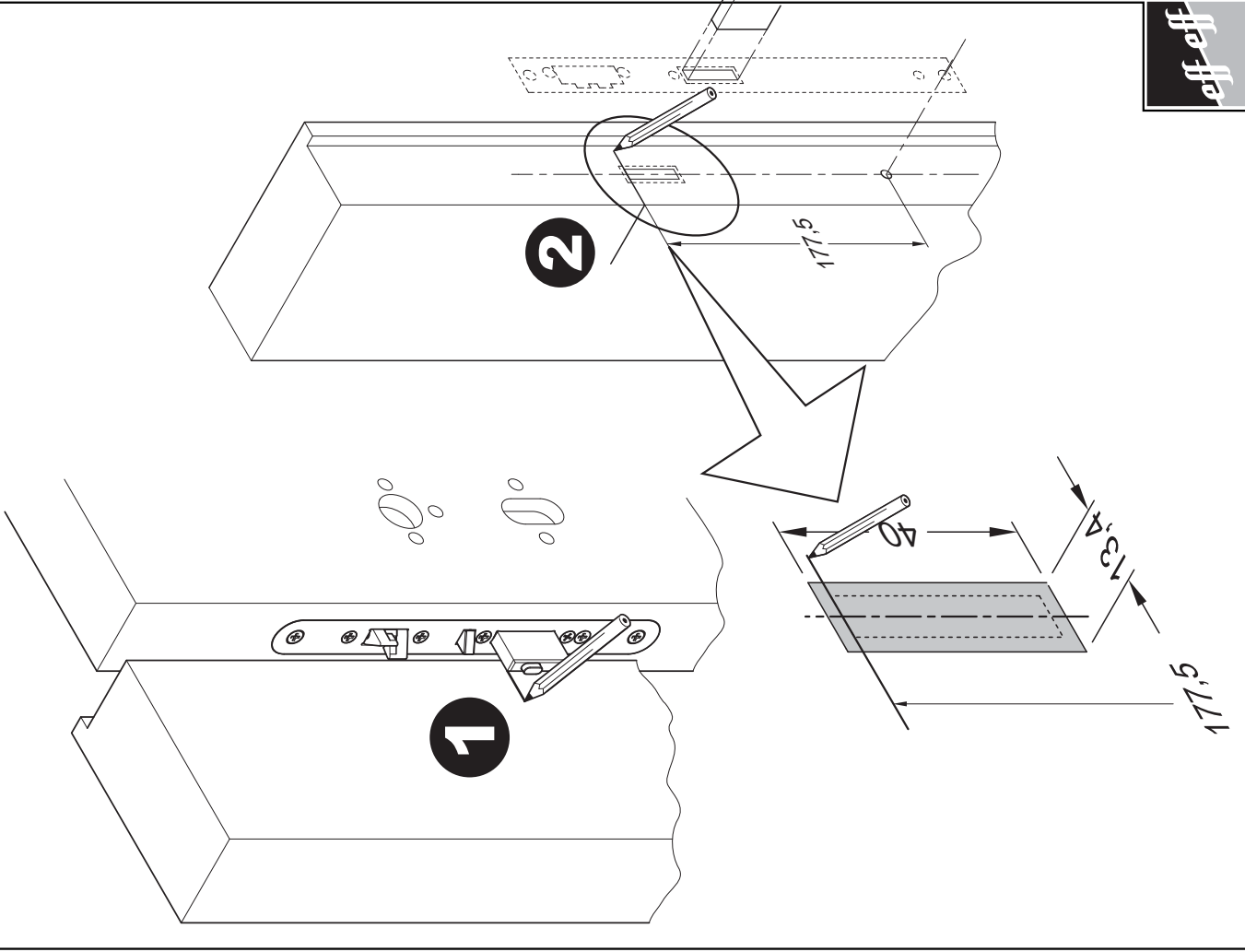


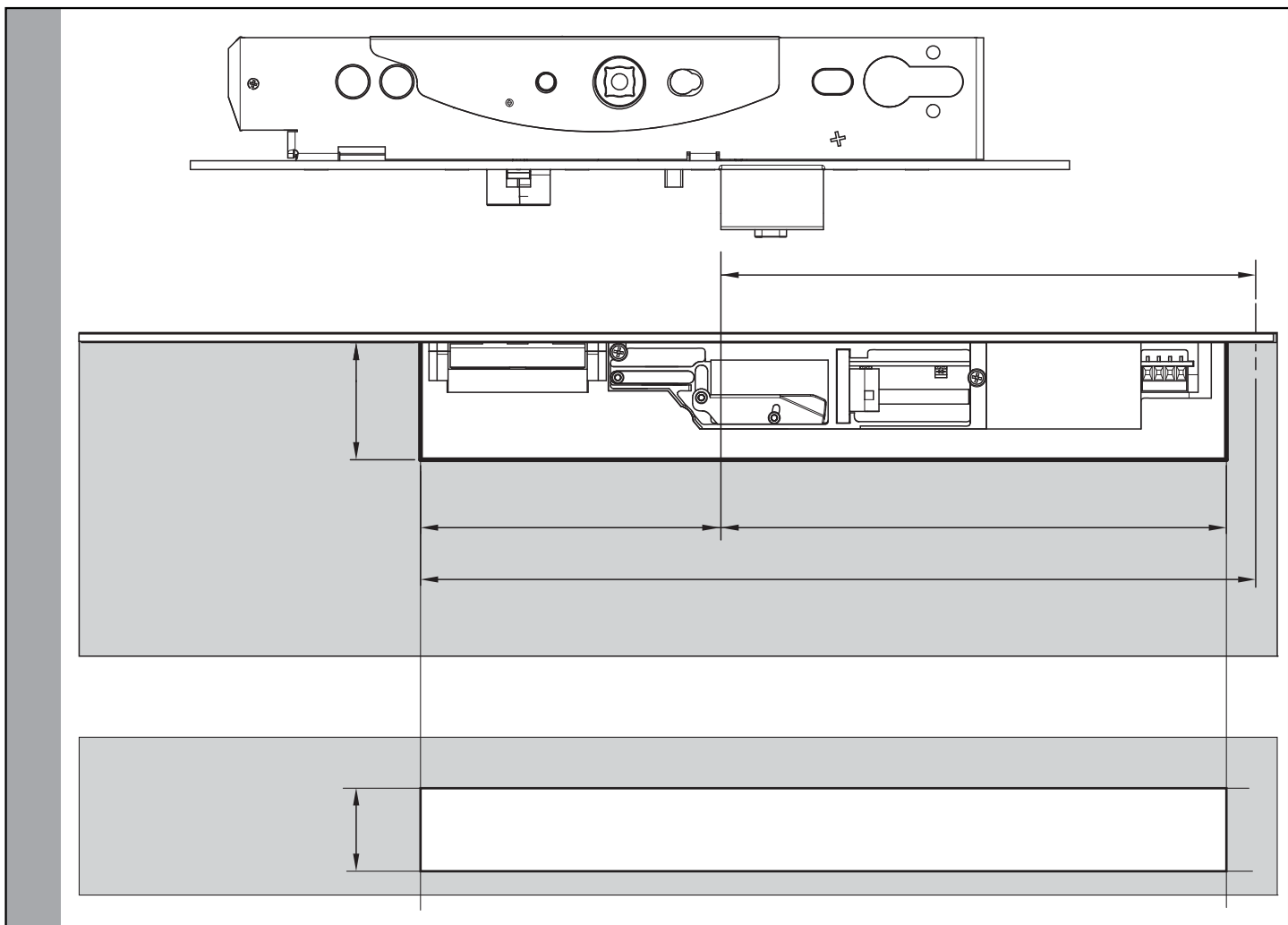
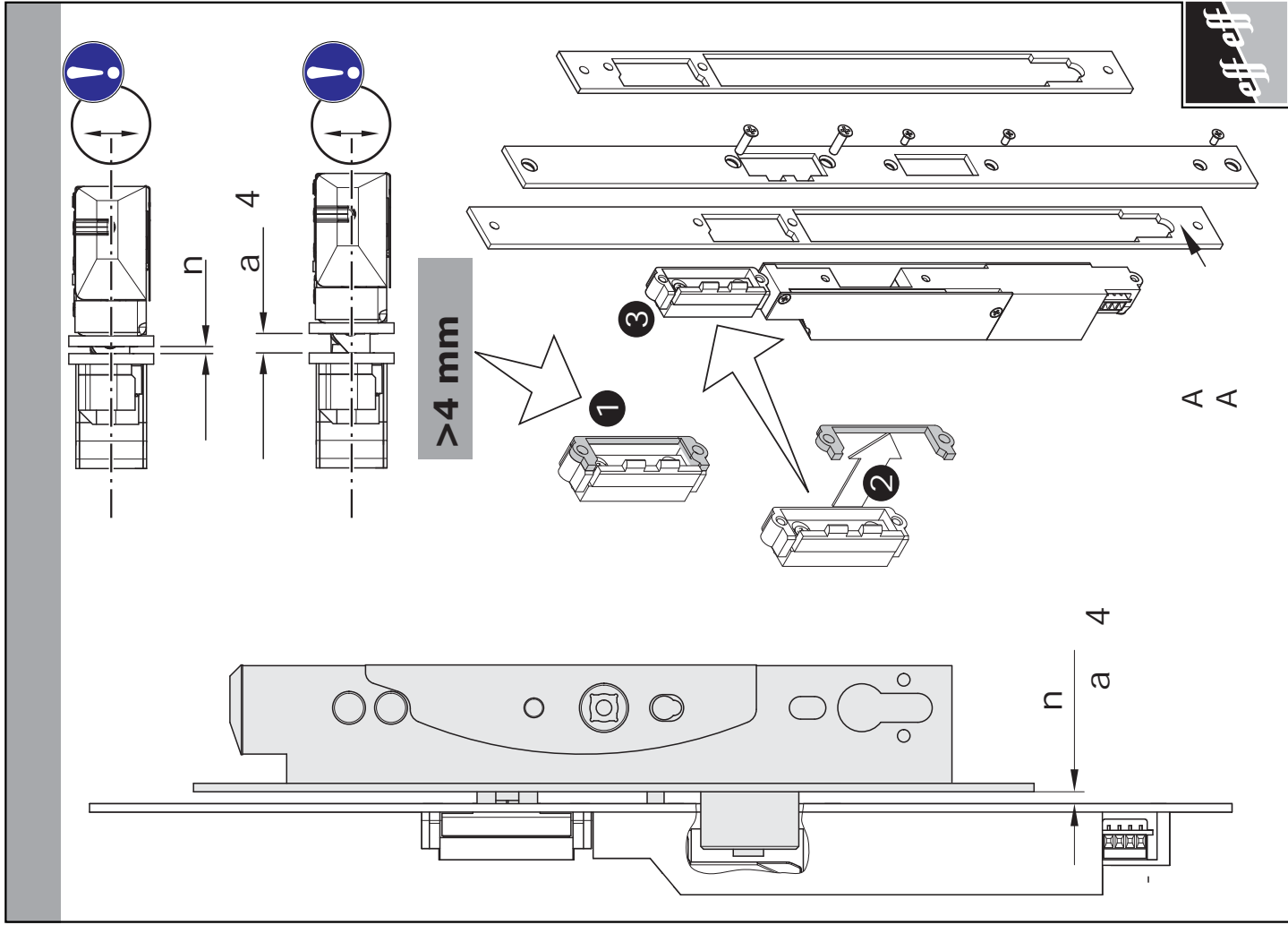
Dornmaße:  
30  
35  
40  
45

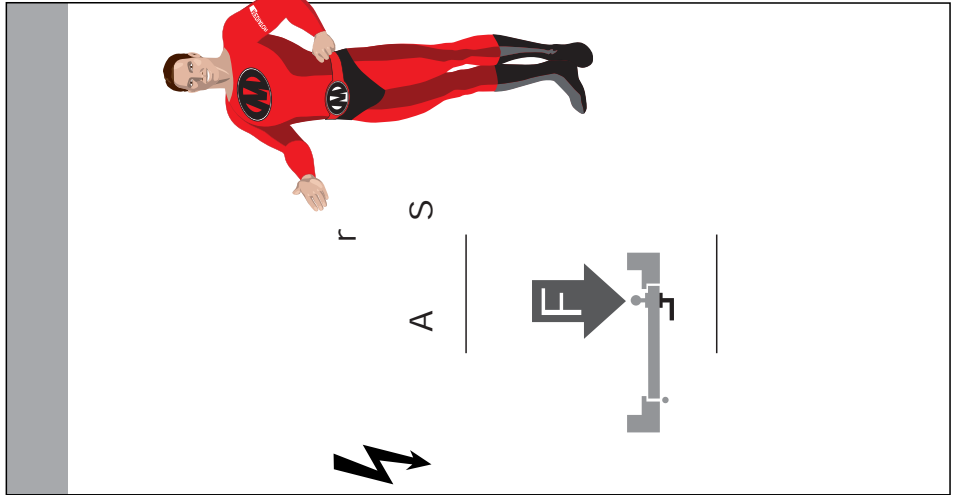
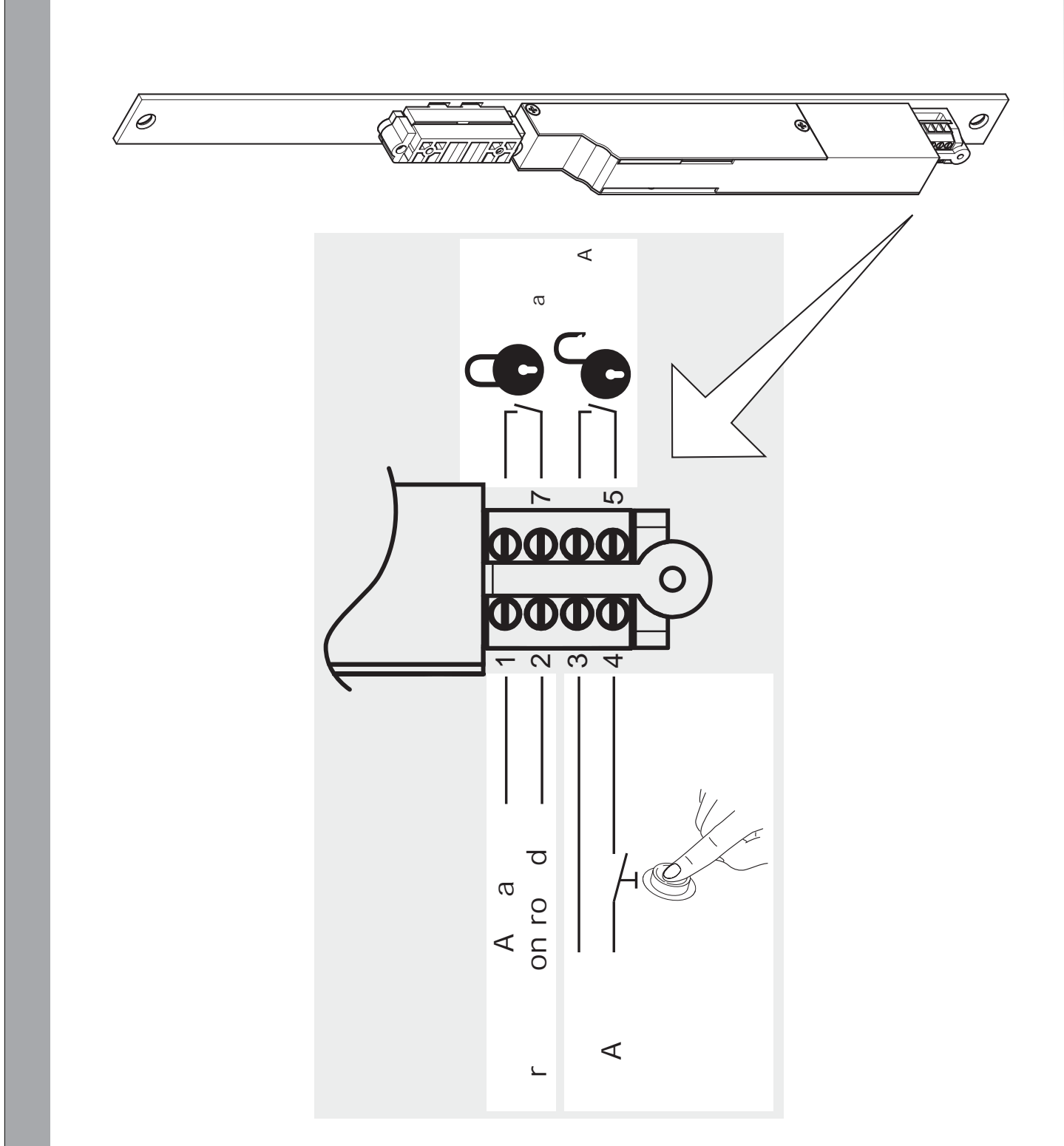
609 ...



Dornmaße:  
55  
60  
65  
80  
100







ASSA ABLOY  
 S r n G b  
 r Ab ad  
 B d o ra  
 Ab ad  
 S LA

a  
 ab ad a aabo d  
 a aabo d

