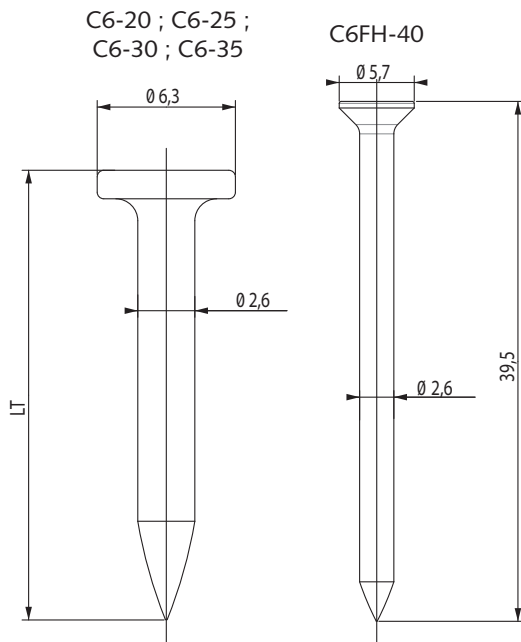
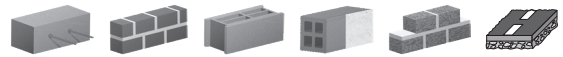


SPIT C6 / C6 FH



DESCRIPTION

→ Using with wiring accessories, to fix drywall track.

PROPERTIES MATERIAL

Shank in carbon steel

- Total length Lt: 20, 25, 30, 35 or 40 mm
- Black collated strip
- Electrogalvanised, min zinc coating 5 µm
- Hardness (C6-20): 53 to 56 HRc
- Hardness (C6-25/30/35/40): 50 to 55 HRc

TOOLS

P800E - P800P - P800P+

AGREEMENT

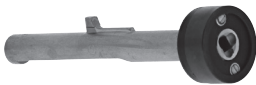
CSTB Technical approval 3/06 - 460

ACCESSORIES

Magnetic nose pieces for:

→ Fixing Metal latch

→ Metal P-CLIP



Eurocode 014641



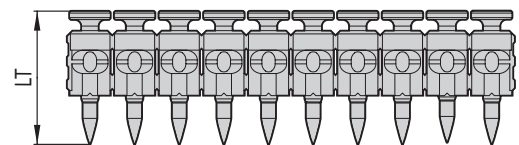
Eurocode 014642

→ Other accessories

- Wiring accessories for electrician & Plumber
- FP FIREFIX™ for fire resistant cabling
- Threaded rod hanger: TRH CLIP MCC-0

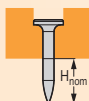

PIN LENGTH SELECTION

C6 range	Length (LT)	Black strip 500 pcs/box	Flush head pin range * 500 pcs/box
C6-20	20	057540	-
C6-25	25	057541	-
C6-30	30	057542	-
C6-35	35	057543	-
C6-40	40	-	057544



*: leaves no plastic residue after fixing

RECOMMENDED LOAD

C6 range		Characteristic resistance		Recommended load	
		NRk (kN)	VRk (kN)	NRec (kN)	VRec (kN)
 C20/25 to C30/37	$H_{nom}^{(1)} = 15 \text{ mm}$	0.87	0.75	0.30	0.25
	$H_{nom}^{(1)} = 18 \text{ mm}$	1.19		0.40	
	$H_{nom}^{(1)} = 20 \text{ mm}$	1.41		0.47	

(1) Embedment depth
 $H_{nom} = 15\text{-}20 \text{ mm}$ is recommended

$L = H_{nom} + t_{fix}$ (see p. 13)