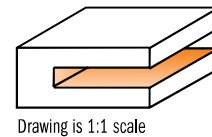
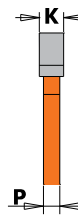


923A - 823B

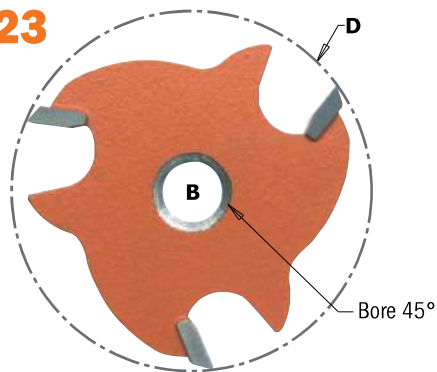
The uses of this bit are infinite: not only can you rout grooves and rabbets, but you can even create T or dovetail joints and create biscuit and spline recesses on wood panels. Each bit features three carbide-tipped cutters, orange coloured P.T.F.E. coating and anti-kick-back design.

NOTE: This cutter comes with a $\varnothing 22$ mm bearing for 2,8mm depth cuts. By ordering different bearings this depth can be shortened.

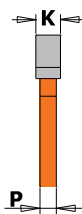


K mm	P mm	D mm	H mm	L mm	Box	ORDER NO. S= $\varnothing 8$ mm	ORDER NO. S= $\varnothing 12,7$ mm
3	1,3	47,6	12,8	58	10	923.330.11A	
3,2	1,3	47,6	12,8	57,5	10		823.332.11B
4	2,1	47,6	12,8	58,3	10	923.340.11A	823.340.11B
5	2,9	47,6	12,8	63	10	923.350.11A	
6,4	4,5	47,6	12,8	60,7	10		823.364.11B

823



These 3-wing carbide tipped slot cutters feature anti-kickback design and CMT's trademark orange P.T.F.E. Industrial Coating for carrying out lateral grooves. For use with cutter arbors **724** ($\varnothing 6$ mm), **824** ($\varnothing 6,35$ mm & $\varnothing 12,7$ mm) and **924** ($\varnothing 8$ mm).



K mm	P mm	D mm	B mm	Box	ORDER NO.
3	1,3	47,6	8	10	823.330.11
3,2	1,3	47,6	8	10	823.332.11
4	2,1	47,6	8	10	823.340.11
5	2,9	47,6	8	10	823.350.11
6,4	4,5	47,6	8	10	823.364.11

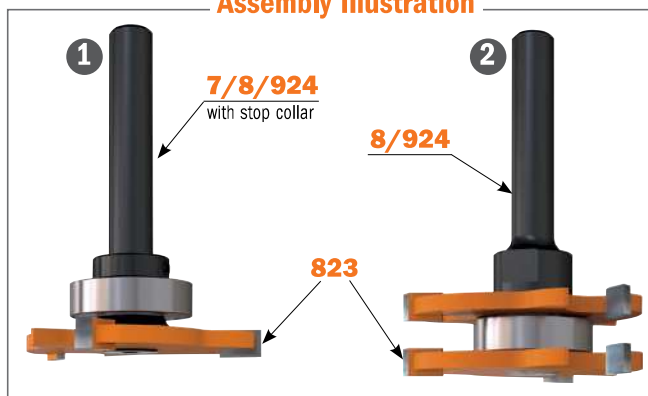
7/8/924



8/924



Assembly Illustration



DESCRIPTION	Box	ORDER NO. S= $\varnothing 6$ mm	ORDER NO. S= $\varnothing 6,35$ mm	ORDER NO. S= $\varnothing 8$ mm	ORDER NO. S= $\varnothing 12,7$ mm
1 Slot cutter arbor without bearing without stop collar	10	724.061.00	824.061.00	924.081.00	824.121.00
1 Slot cutter arbor with bearing and stop collar	10	724.061.10	824.061.10	924.081.10	824.121.10
2 Slot cutter arbor without bearing	10			924.082.00	824.122.00
2 Slot cutter arbor with bearing	10			924.082.10	824.122.10

Spare parts:
791.012.00 $\varnothing 8$ -22mm bearing
541.001.00 Stop collar for $\varnothing 6,35$ mm shanks
541.002.00 Stop collar for $\varnothing 12,7$ mm shanks
791.013.00 $\varnothing 12,7$ -22mm bearing
541.003.00 Stop collar for $\varnothing 6$ mm shanks
541.004.00 Stop collar for $\varnothing 8$ mm shanks

541.515.00 0,1mm spacer
541.516.00 0,3mm spacer
541.517.00 0,5mm spacer
541.518.00 1mm spacer
990.055.00 M5x12mm TSPEI screw
991.067.00 3mm hex key