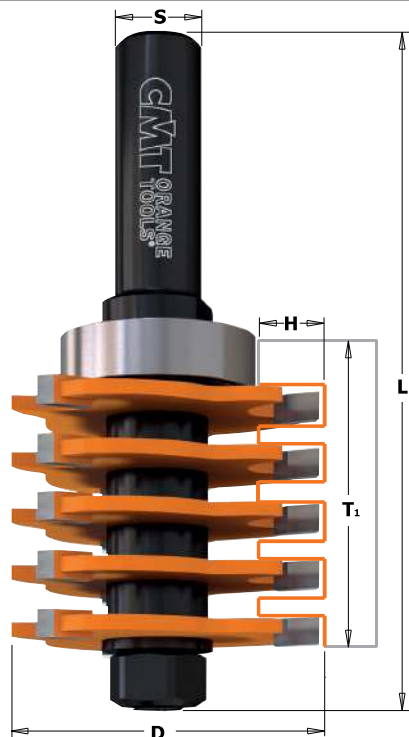


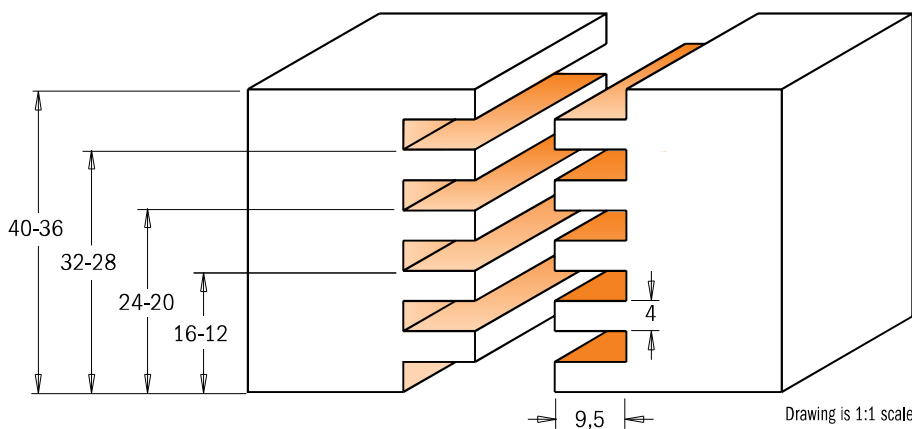
Finger Joint Bit



8/900.616



This router allows you to carry out accurate and functional finger joints with the greatest of ease. Without any adjustment you will be able to work woods with different thicknesses as indicated in the drawing. The bearing allows you to reach a 9,5mm cutting depth. For further cutting depths you need to use a fence.



T ₁ mm	D mm	H mm	L mm		ORDER NO. S=Ø12mm	ORDER NO. S=Ø12,7mm
12 - 40	47,6	9,5	97	10	900.616.11	
12 - 40	47,6	9,5	97	10		800.616.11

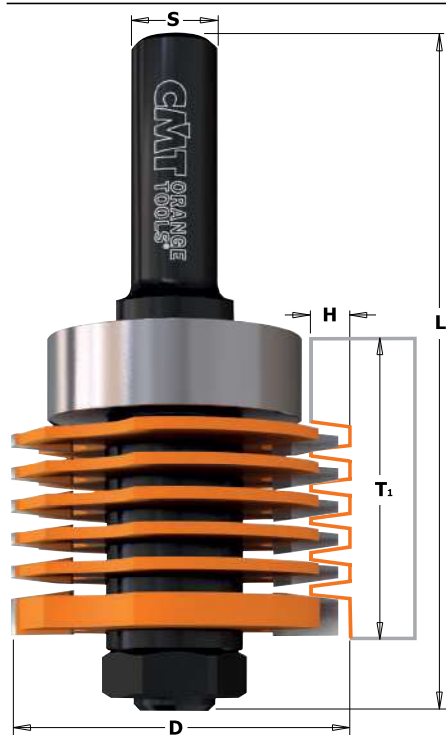
Spare parts

924.130.00	791.027.00	822.340.11	990.020.00
824.130.00	791.027.00	822.340.11	990.020.00

Spare parts: **541.515.00** 0,1mm spacer
541.519.00 5,8mm spacer
990.403.00 1,6mm washer
990.459.00 Kit with spacers

Optional: **791.020.00** Ø38,1mm bearing (for depth 4,75mm)
791.029.00 Ø34,9mm bearing (for depth 6,35mm)
791.015.00 Ø31,7mm bearing (for depth 8mm)
791.011.00 Ø19mm bearing (for depth 14,3mm)

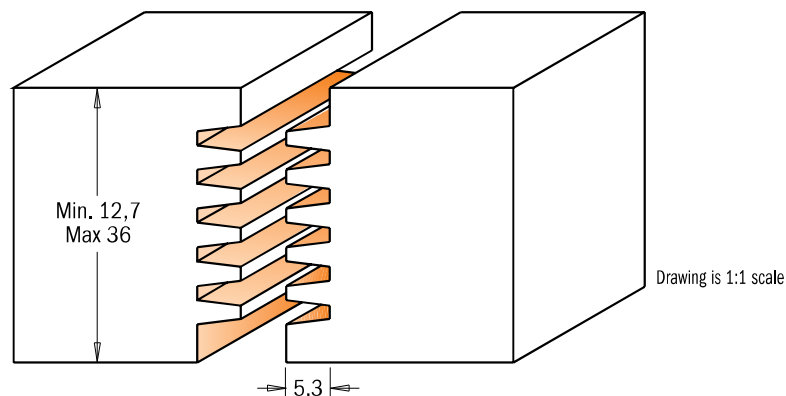
Professional Finger Joint Bit



8/900.606



This versatile finger joint bit is the perfect tool for making incredibly strong side-to-side or end-to-end joints in wood and in varying lengths from 12.7mm to 36mm. The tightness and accuracy of the cut joint coupled with the maximum glue surface create a joint that is actually stronger than an unworked piece of wood.



T ₁ mm	D mm	H mm	L mm		ORDER NO. S=Ø12mm	ORDER NO. S=Ø12,7mm
12,7 - 36	47,6	5,3	97	10	900.606.11	
12,7 - 36	47,6	5,3	97	10		800.606.11

Spare parts

824.129.00	791.028.00	822.005.11	990.022.00
924.129.00	791.028.00	822.005.11	990.022.00

Spare parts: **541.511.00** 3mm spacer
541.512.00 2mm spacer
541.526.00 0,1mm spacer
990.458.00 Kit with spacer