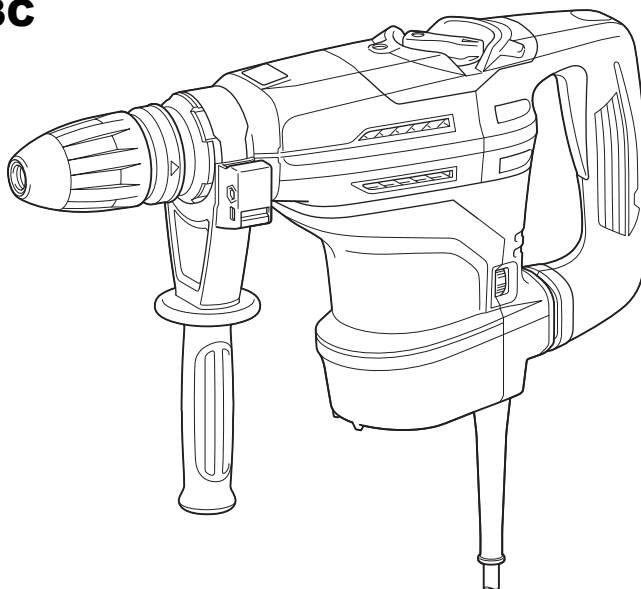
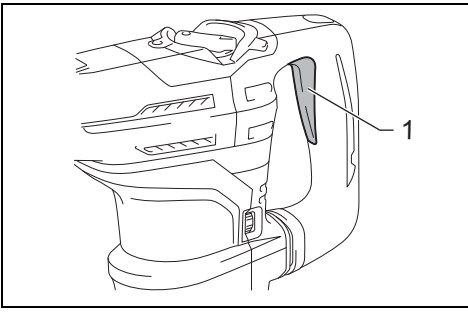




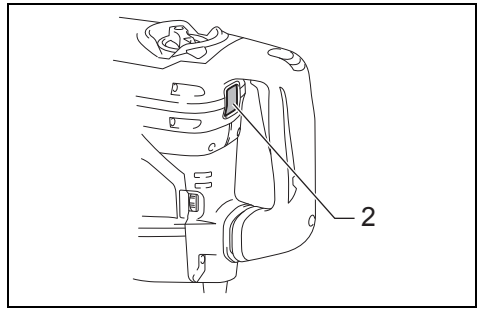
<b>GB</b>	Rotary Hammer	Instruction Manual
<b>F</b>	Marteau Perforateur	Manuel d'instructions
<b>D</b>	Bohrhammer	Betriebsanleitung
<b>I</b>	Martello rotativo	Istruzioni per l'uso
<b>NL</b>	Boorhamer	Gebruiksaanwijzing
<b>E</b>	Martillo Rotativo	Manual de instrucciones
<b>P</b>	Martelo Rotativo	Manual de instruções
<b>DK</b>	Borehammer	Brugsanvisning
<b>GR</b>	Περιστροφικό σφυρί	Οδηγίες χρήσεως
<b>TR</b>	Kırıcı Delici	Kullanma kılavuzu

**HR4003C**  
**HR4013C**

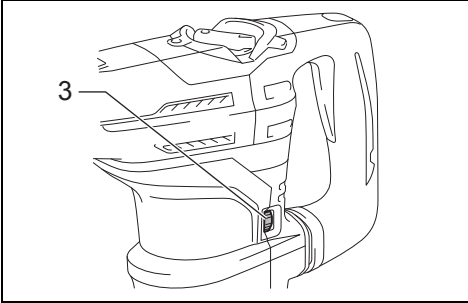




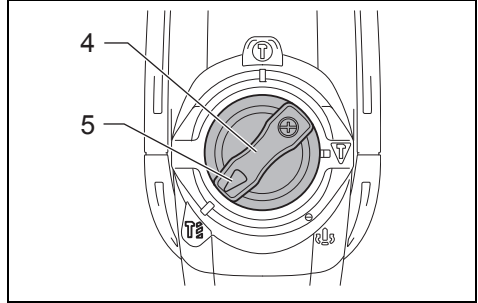
**1** 014028



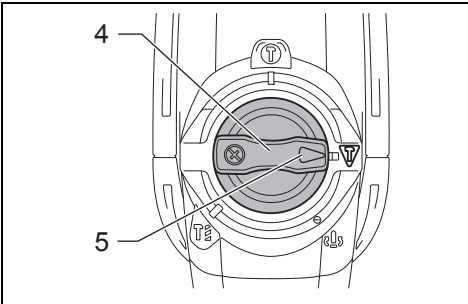
**2** 014073



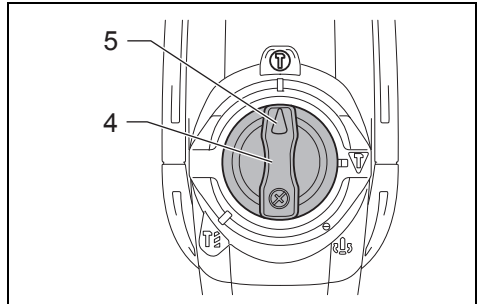
**3** 014029



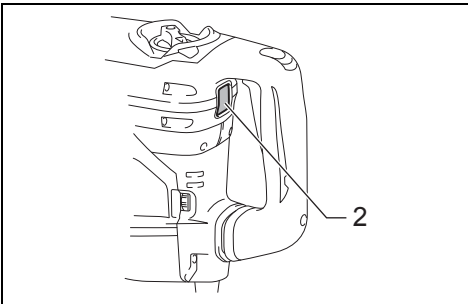
**4** 014022



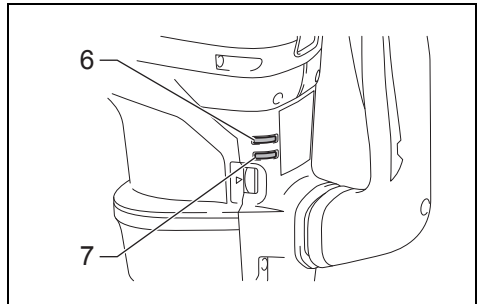
**5** 014024



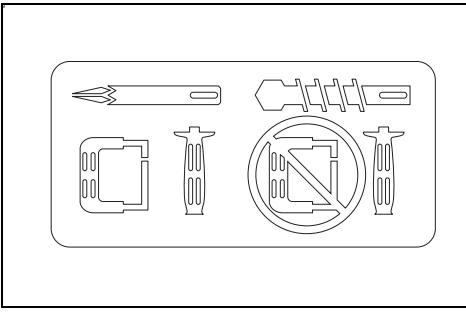
**6** 014023



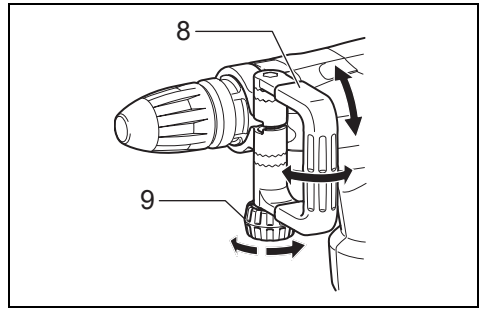
**7** 014073



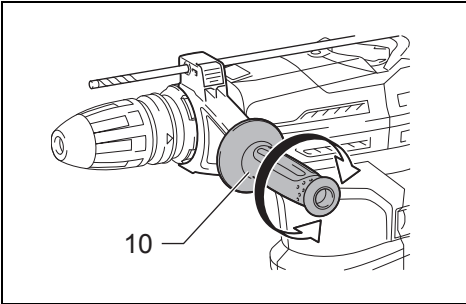
**8** 014022



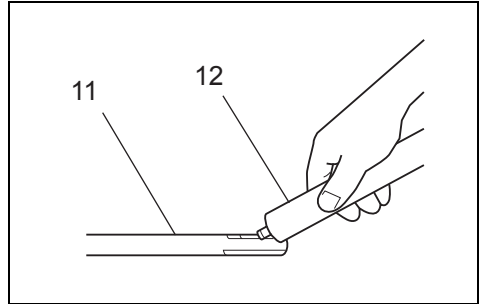
**9** 003139



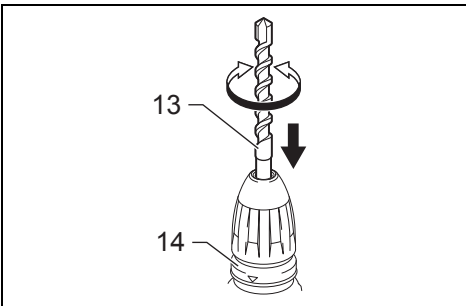
**10** 014034



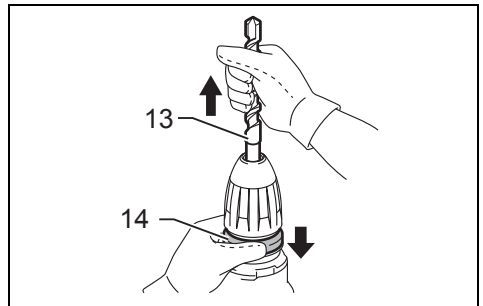
**11** 014027



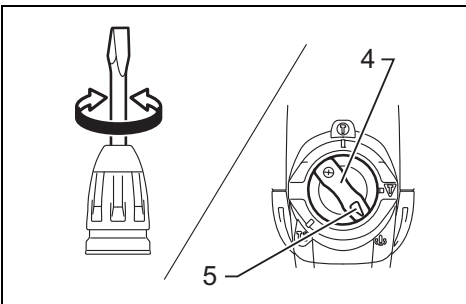
**12** 003150



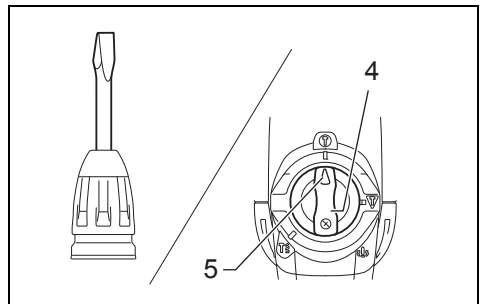
**13** 014088



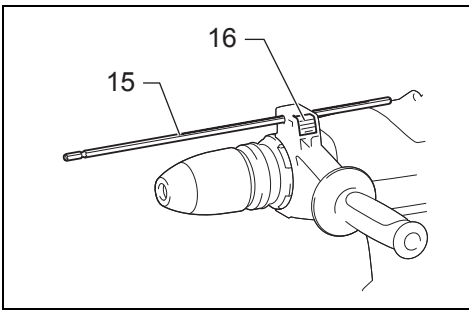
**14** 014089



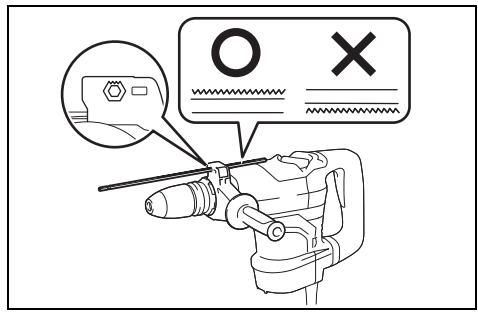
**15** 014090



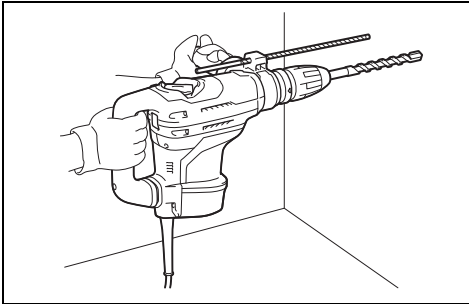
**16** 014091



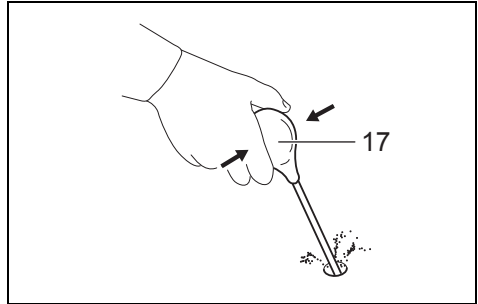
**17** 014033



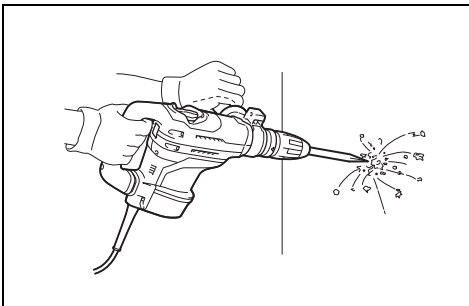
**18** 014135



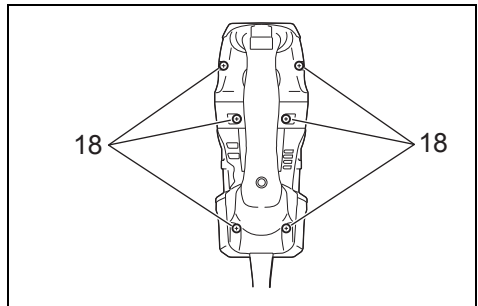
**19** 014030



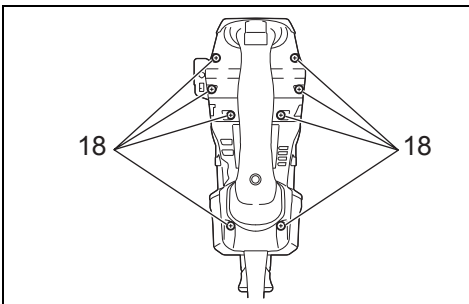
**20** 002449



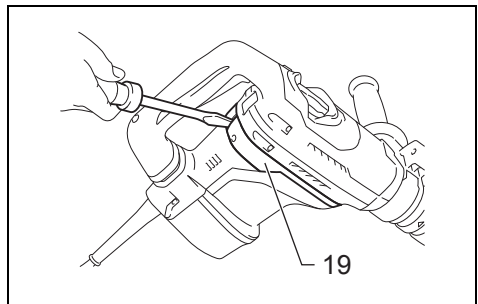
**21** 014031



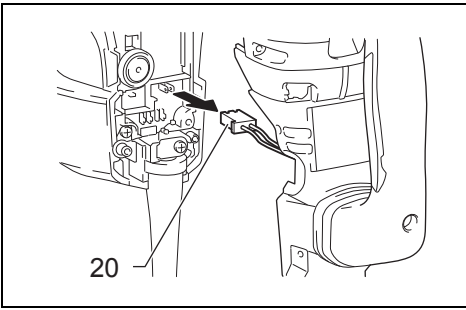
**22** 014035



**23** 014037

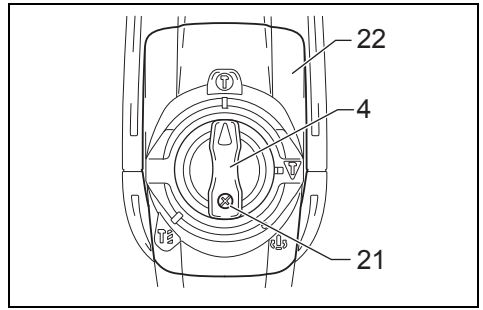


**24** 014035



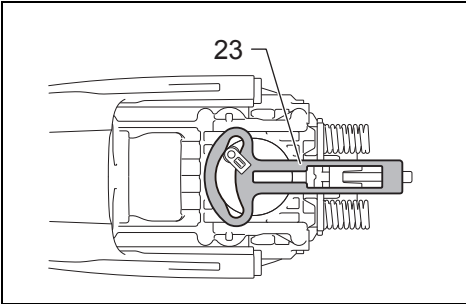
25

014036



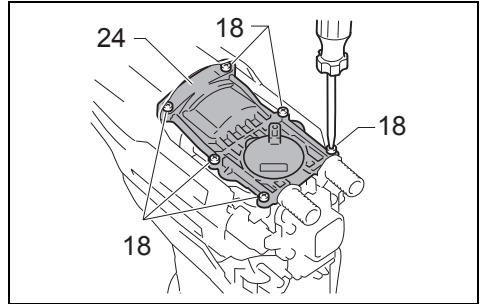
26

014038



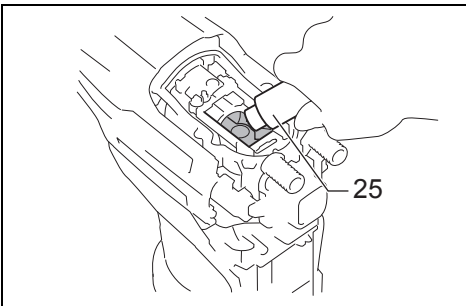
27

014039



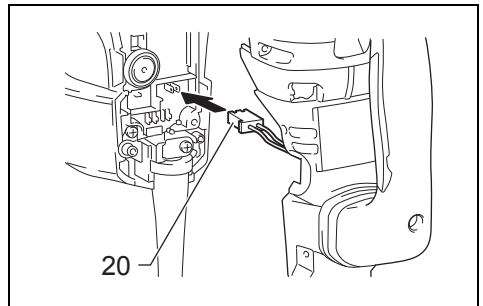
28

014092



29

014041



30

014042

**Explanation of general view**

1 Switch trigger	9 Clamp nut	18 Screws
2 Switch button	10 Side grip	19 Guard cover
3 Adjusting dial	11 Bit shank	20 Connector
4 Change lever	12 Bit grease	21 Screw
5 Pointer	13 Bit	22 Crank cap cover
6 Power-ON indicator lamp (green)	14 Chuck cover	23 Control plate
7 Service indicator lamp (red)	15 Depth gauge	24 Crank cap
8 Side handle	16 Lock button	25 Hammer grease
	17 Blow-out bulb	

**SPECIFICATIONS**

Model		HR4003C	HR4013C
Capacities	Carbide-tipped bit	40 mm	
	Core bit	105 mm	
No load speed (min <sup>-1</sup> )		250 – 500	
Blows per minute		1,450 – 2,900	
Overall length		479 mm	
Net weight		6.2 kg	6.8 kg
Safety class		□/II	

GEB007-7

- Due to our continuing program of research and development, the specifications herein are subject to change without notice.
- Specifications may differ from country to country.
- Weight according to EPTA-Procedure 01/2003

ENE044-1

**Intended use**

The tool is intended for hammer drilling in brick, concrete and stone as well as for chiselling work.

ENF002-2

**Power supply**

The tool should be connected only to a power supply of the same voltage as indicated on the nameplate, and can only be operated on single-phase AC supply. They are double-insulated and can, therefore, also be used from sockets without earth wire.

GEA010-1

**General Power Tool Safety Warnings**

**⚠ WARNING** Read all safety warnings and all instructions. Failure to follow the warnings and instructions may result in electric shock, fire and/or serious injury.

**Save all warnings and instructions for future reference.**

**ROTARY HAMMER SAFETY WARNINGS**

- 1. Wear ear protectors.** Exposure to noise can cause hearing loss.
- 2. Use auxiliary handle(s), if supplied with the tool.** Loss of control can cause personal injury.
- 3. Hold power tool by insulated gripping surfaces, when performing an operation where the cutting accessory may contact hidden wiring or its own cord.** Cutting accessory contacting a "live" wire may make exposed metal parts of the power tool "live" and could give the operator an electric shock.
- 4. Wear a hard hat (safety helmet), safety glasses and/or face shield. Ordinary eye or sun glasses are NOT safety glasses. It is also highly recommended that you wear a dust mask and thickly padded gloves.**
- 5. Be sure the bit is secured in place before operation.**
- 6. Under normal operation, the tool is designed to produce vibration. The screws can come loose easily, causing a breakdown or accident. Check tightness of screws carefully before operation.**
- 7. In cold weather or when the tool has not been used for a long time, let the tool warm up for a while by operating it under no load. This will loosen up the lubrication. Without proper warm-up, hammering operation is difficult.**
- 8. Always be sure you have a firm footing. Be sure no one is below when using the tool in high locations.**
- 9. Hold the tool firmly with both hands.**
- 10. Keep hands away from moving parts.**
- 11. Do not leave the tool running. Operate the tool only when hand-held.**

12. Do not point the tool at any one in the area when operating. The bit could fly out and injure someone seriously.
13. Do not touch the bit or parts close to the bit immediately after operation; they may be extremely hot and could burn your skin.
14. Some material contains chemicals which may be toxic. Take caution to prevent dust inhalation and skin contact. Follow material supplier safety data.

### SAVE THESE INSTRUCTIONS.

#### ⚠ WARNING:

DO NOT let comfort or familiarity with product (gained from repeated use) replace strict adherence to safety rules for the subject product. MISUSE or failure to follow the safety rules stated in this instruction manual may cause serious personal injury.

### FUNCTIONAL DESCRIPTION

#### ⚠ CAUTION:

- Always be sure that the tool is switched off and unplugged before adjusting or checking function on the tool.

#### Switch action (Fig. 1)

#### ⚠ CAUTION:

- Before plugging in the tool, always check to see that the switch trigger actuates properly and returns to the "OFF" position when released.

#### Switch trigger

This switch functions when setting the tool in ▽ symbol and ⚙ symbol modes.

To start the tool, simply pull the switch trigger. Release the switch trigger to stop.

#### Switch button (Fig. 2)

This switch functions when setting the tool in Ⓢ symbol mode.

When the tool is in the Ⓢ symbol mode, the switch button projects out and lights in red.

To start the tool, press the switch button. The switch light turns in green.

To stop the tool, press the switch button again.

#### Speed change (Fig. 3)

The revolutions and blows per minute can be adjusted just by turning the adjusting dial. The dial is marked 1 (lowest speed) to 5 (full speed).

Refer to the table below for the relationship between the number settings on the adjusting dial and the revolutions/blows per minute.

Number on adjusting dial	Revolutions per minute	Blows per minute
5	500	2,900
4	470	2,700
3	380	2,150
2	290	1,650
1	250	1,450

014134

### For model HR4013C only

#### NOTE:

- Blows at no load per minute becomes smaller than those on load in order to reduce vibration under no load, but this does not show trouble. Once operation starts with a bit against concrete, blows per minute increase and get to the numbers as shown in the table. When temperature is low and there is less fluidity in grease, the tool may not have this function even with the motor rotating.

#### ⚠ CAUTION:

- If the tool is operated continuously at low speeds for a long time, the motor may get overloaded, resulting in tool malfunction.
- The speed adjusting dial can be turned only as far as 5 and back to 1. Do not force it past 5 or 1, or the speed adjusting function may no longer work.

### Selecting the action mode

#### ⚠ CAUTION:

- Do not rotate the change lever when the tool is running. The tool will be damaged.
- To avoid rapid wear on the mode change mechanism, be sure that the change lever is always positively located in one of the action mode positions.

#### Hammer drilling mode (Fig. 4)

For drilling in concrete, masonry, etc., rotate the change lever to the ⚙ symbol. Use a tungsten-carbide tipped bit.

#### Hammering mode (Switch trigger mode) (Fig. 5)

For chipping, scaling or demolition operations, rotate the change lever to the ▽ symbol. Use a bull point, cold chisel, scaling chisel, etc.

#### Hammering mode (Switch button mode)

For continuous chipping, scaling or demolition operations, rotate the change lever to the Ⓢ symbol. (Fig. 6)

The switch button projects out and lights in red.

Use a bull point, cold chisel, scaling chisel, etc. (Fig. 7)

#### NOTE:

- When using the tool in the Ⓢ symbol mode, the switch trigger does not work but only the switch button works.

#### Torque limiter

The torque limiter actuates when torque reaches a certain level. The motor disengages from the output shaft. When this happens, the bit stops turning.

#### ⚠ CAUTION:

- As soon as the torque limiter actuates, switch off the tool immediately. This helps to prevent premature wear of the tool.

#### Indicator lamp (Fig. 8)

The green power-ON indicator lamp lights up when the tool is plugged in. If the indicator lamp does not light up, the mains cord or the controller may be defective.

When the indicator lamp lights up but the tool does not start even the tool is switched on, the carbon brushes may be worn out, or the controller, the motor or the ON/OFF switch may be defective.

If above symptoms occur, stop using the tool immediately and ask your local service center.

The red service indicator lamp lights up when the carbon brushes are nearly worn out to indicate that the tool needs servicing. After some period of use, the motor automatically shuts off.

## ASSEMBLY

### CAUTION:

- Always be sure that the tool is switched off and unplugged before carrying out any work on the tool.

### Side handle (Fig. 9)

### CAUTION:

- Use the side handle only when chipping, scaling or demolishing. Do not use it when drilling in concrete, masonry, etc. The tool cannot be held properly with this side handle when drilling.

The side handle can be swung 360° on the vertical and secured at any desired position. It also secures at eight different positions back and forth on the horizontal. Just loosen the clamp nut to swing the side handle to a desired position. Then tighten the clamp nut securely. (Fig. 10)

### Side grip (Fig. 11)

### CAUTION:

- Always use the side grip to ensure operating safety when drilling in concrete, masonry, etc.

The side grip swings around to either side, allowing easy handling of the tool in any position. Loosen the side grip by turning it counterclockwise, swing it to the desired position and then tighten it by turning clockwise.

### Installing or removing the bit

Clean the bit shank and apply bit grease before installing the bit. (Fig. 12)


Insert the bit into the tool. Turn the bit and push it in until it engages.


If the bit cannot be pushed in, remove the bit. Pull the chuck cover down a couple of times. Then insert the bit again. Turn the bit and push it in until it engages.

After installing, always make sure that the bit is securely held in place by trying to pull it out. (Fig. 13)

To remove the bit, pull the chuck cover down all the way and pull the bit out. (Fig. 14)

### Bit angle (when chipping, scaling or demolishing)

The bit can be secured at 24 different angles. To change the bit angle, rotate the change lever so that the pointer points to the  symbol. Turn the bit to the desired angle. (Fig. 15)

Rotate the change lever so that the pointer points to the  symbol. Then make sure that the bit is securely held in place by turning it slightly. (Fig. 16)

### Depth gauge

The depth gauge is convenient for drilling holes of uniform depth.

Press and hold the lock button, and insert the depth gauge into the hex hole. (Fig. 17)

Make sure the toothed side of the depth gauge faces the marking.

Adjust the depth gauge by moving it back and forth while pressing the lock button. After adjustment, release the lock button to lock the depth gauge. (Fig. 18)

## NOTE:


- The depth gauge cannot be used at the position where the depth gauge strikes against the gear housing/motor housing.

## OPERATION

### CAUTION:

- Make sure the work material is secured and not unstable. Flown object may cause personal injury.
- Do not pull the tool out forcibly even the bit gets stuck. Loss of control may cause injury.

### Hammer drilling operation (Fig. 19)

Set the change lever to the  symbol.

Position the bit at the desired location for the hole, then pull the switch trigger.

Do not force the tool. Light pressure gives best results. Keep the tool in position and prevent it from slipping away from the hole.

Do not apply more pressure when the hole becomes clogged with chips or particles. Instead, run the tool at an idle, then remove the bit partially from the hole. By repeating this several times, the hole will be cleaned out and you can continue drilling operation.


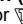
### CAUTION:

- There is a tremendous and sudden twisting force exerted on the tool/bit at the time of hole breakthrough, when the hole becomes clogged with chips and particles, or when striking reinforcing rods embedded in the concrete. Always use the side grip (auxiliary handle) and firmly hold the tool by both side grip and switch handle during operations, and maintain good balance and safe footing. Failure to do so may result in the loss of control of the tool and potentially severe injury.

### Blow-out bulb (optional accessory) (Fig. 20)

After drilling the hole, use the blow-out bulb to clean the dust out of the hole.

### Chipping/Scaling/Demolition (Fig. 21)

Set the change lever to the  or  symbol.

Hold the tool firmly with both hands. Turn the tool on and apply slight pressure on the tool so that the tool does not bounce around, uncontrolled. Pressing very hard on the tool will not increase the efficiency.

## MAINTENANCE

### CAUTION:

- Always be sure that the tool is switched off and unplugged before attempting to perform inspection or maintenance.
- Never use gasoline, benzene, thinner, alcohol or the like. Discoloration, deformation or cracks may result.

### Lubrication

### CAUTION:

- This servicing should be performed by Makita Authorized Service Centers only.
- Do not perform lubrication just after the operation, wait until the tool cools down. Otherwise skin burn may result.

This tool requires no hourly or daily lubrication because it has a grease-packed lubrication system. However, it is necessary to replace grease and carbon brushes periodically for tool's long life.



(For model HR4003C) Loosen the six screws and remove the handle. (Fig. 22)

(For model HR4013C) Loosen the eight screws. And remove the guard cover as shown in the figure. And then remove the handle. (Fig. 23 and 24)

Remove the connector by pulling it. (Fig. 25)

Loosen the screws and remove the change lever.

Remove the crank cap cover. (Fig. 26)

Remove the control plate. (Fig. 27)

Loosen the six screws and remove the crank cap. Rest the tool on the table with the bit end pointing upwards. This will allow the old grease to collect inside the crank housing. (Fig. 28)

Wipe out the old grease inside and replace with fresh grease (30 g). Use only Makita genuine hammer grease (optional accessory). Filling with more than the specified amount of grease (approx. 30 g) can cause faulty hammering action or tool failure. Fill only with the specified amount of grease.

Reinstall all removed parts. (Fig. 29)

Attach the connector and reinstall the handle. (Fig. 30)

#### NOTE:

- Note that the different lengths of screws are used.

#### NOTICE

- Do not tighten the crank cap excessively. It is made of resin and is subject to breakage.
- Be careful not to damage the connector or lead wires especially when wiping out the old grease or installing the handle.

To maintain product SAFETY and RELIABILITY, repairs, any other maintenance or adjustment should be performed by Makita Authorized Service Centers, always using Makita replacement parts.

## OPTIONAL ACCESSORIES

### CAUTION:

- These accessories or attachments are recommended for use with your Makita tool specified in this manual. The use of any other accessories or attachments might present a risk of injury to persons. Only use accessory or attachment for its stated purpose.

If you need any assistance for more details regarding these accessories, ask your local Makita Service Center.

- SDS-Max Carbide-tipped bits
- SDS-Max bull point
- SDS-MAX cold chisel
- SDS-MAX scaling chisel
- SDS-MAX tile chisel
- SDS-MAX clay spade
- Hammer grease
- Bit grease
- Side handle
- Side grip
- Depth gauge
- Blow-out bulb
- Safety goggles
- Carrying case
- Dust extractor attachment

#### NOTE:

- Some items in the list may be included in the tool package as standard accessories. They may differ from country to country.

## Noise

The typical A-weighted noise level determined according to EN60745:

Sound pressure level ( $L_{pA}$ ): 92 dB (A)

Sound power level ( $L_{WA}$ ): 103 dB (A)

Uncertainty (K): 3 dB (A)

### Wear ear protection

ENG900-1

## Vibration

The vibration total value (tri-axial vector sum) determined according to EN60745:

### Model HR4003C

Work mode: chiseling function with side handle

Vibration emission ( $a_{h,ChEq}$ ): 9.0 m/s<sup>2</sup>

Uncertainty (K): 1.5 m/s<sup>2</sup>

Work mode: chiseling function with side grip

Vibration emission ( $a_{h,ChEq}$ ): 9.0 m/s<sup>2</sup>

Uncertainty (K): 1.5 m/s<sup>2</sup>

Work mode: hammer drilling into concrete

Vibration emission ( $a_{h,HD}$ ): 10.0 m/s<sup>2</sup>

Uncertainty (K): 1.5 m/s<sup>2</sup>

### Model HR4013C

Work mode: chiseling function with side handle

Vibration emission ( $a_{h,ChEq}$ ): 4.5 m/s<sup>2</sup>

Uncertainty (K): 1.5 m/s<sup>2</sup>

Work mode: chiseling function with side grip

Vibration emission ( $a_{h,ChEq}$ ): 4.5 m/s<sup>2</sup>

Uncertainty (K): 1.5 m/s<sup>2</sup>

Work mode: hammer drilling into concrete

Vibration emission ( $a_{h,HD}$ ): 5.0 m/s<sup>2</sup>

Uncertainty (K): 1.5 m/s<sup>2</sup>

ENG901-1

- The declared vibration emission value has been measured in accordance with the standard test method and may be used for comparing one tool with another.
- The declared vibration emission value may also be used in a preliminary assessment of exposure.

### WARNING:

- The vibration emission during actual use of the power tool can differ from the declared emission value depending on the ways in which the tool is used.
- Be sure to identify safety measures to protect the operator that are based on an estimation of exposure in the actual conditions of use (taking account of all parts of the operating cycle such as the times when the tool is switched off and when it is running idle in addition to the trigger time).

**For European countries only**

**EC Declaration of Conformity**

**We Makita Corporation as the responsible manufacturer declare that the following Makita machine(s):**

Designation of Machine:

Rotary Hammer

Model No./Type: HR4003C, HR4013C

are of series production and

**Conforms to the following European Directives:**

2006/42/EC

And are manufactured in accordance with the following standards or standardised documents:

EN60745

The technical documentation is kept by:

Makita International Europe Ltd.

Technical Department,

Michigan Drive, Tongwell,

Milton Keynes, Bucks MK15 8JD, England

6.2.2013



Tomoyasu Kato

Director

Makita Corporation

3-11-8, Sumiyoshi-cho,

Anjo, Aichi, 446-8502, JAPAN

**Descriptif**

1 Gâchette	9 Écrou de serrage	19 Carter de protection
2 Interrupteur	10 Manche latéral	20 Connecteur
3 Molette de réglage	11 Queue du foret	21 Vis
4 Levier de changement	12 Graisse pour foret	22 Couvercle du carter du moteur
5 Index	13 Foret	23 Plaque de commande
6 Voyant lumineux de fonctionnement (vert)	14 Capot du mandrin	24 Carter du moteur
7 Voyant lumineux d'entretien (rouge)	15 Guide de profondeur	25 Graisse pour marteau
8 Poignée latérale	16 Bouton de verrouillage	
	17 Poire soufflante	
	18 Vis	

**SPÉCIFICATIONS**

Modèle		HR4003C	HR4013C
Capacités	Foret à pointe au carbure	40 mm	
	Trépan	105 mm	
Vitesse à vide (min <sup>-1</sup> )		250 – 500	
Frappes par minute		1 450 – 2 900	
Longueur totale		479 mm	
Poids net		6,2 kg	6,8 kg
Catégorie de sécurité		□/II	

GEB007-7

- Étant donné l'évolution constante de notre programme de recherche et développement, les spécifications contenues dans ce manuel sont sujettes à modification sans préavis.
- Les spécifications peuvent varier suivant les pays.
- Poids selon la procédure EPTA 01/2003

ENE044-1

**Utilisations**

L'outil est conçu pour le perçage avec percussion dans la brique, le béton et la pierre ainsi que pour les travaux de burinage.

ENF002-2

**Alimentation**

L'outil ne devra être raccordé qu'à une alimentation de la même tension que celle qui figure sur la plaque signalétique, et il ne pourra fonctionner que sur un courant secteur monophasé. Réalisé avec une double isolation, il peut de ce fait être alimenté sans mise à la terre.

GEA010-1

**Consignes de sécurité générales pour outils électriques**

**⚠ AVERTISSEMENT** Veuillez lire toutes les mises en garde et toutes les instructions. Il y a risque de choc électrique, d'incendie et/ou de blessure grave si les mises en garde et les instructions ne sont pas respectées.

**Conservez toutes les mises en garde et instructions pour référence ultérieure.**

**CONSIGNES DE SÉCURITÉ POUR MARTEAU PERFORATEUR**

1. **Portez des protections d'oreilles.** L'exposition au bruit peut entraîner la surdité.
2. **Utilisez la ou les poignée(s) auxiliaire(s), si l'outil en possède.** Toute perte de maîtrise de l'outil comporte un risque de blessure.
3. **Saisissez l'outil électrique par ses surfaces de poigne isolées lorsque vous effectuez des travaux au cours desquels l'accessoire tranchant peut entrer en contact avec des fils cachés ou avec le cordon d'alimentation de l'outil.** Le contact de l'accessoire tranchant avec un fil sous tension peut également mettre sous tension les parties métalliques exposées de l'outil électrique, causant ainsi un choc électrique chez l'utilisateur.
4. **Portez une coiffure résistante (un casque de sécurité), ainsi que des lunettes de sûreté et/ou un masque de protection.** Les lunettes ordinaires et les lunettes de soleil NE sont PAS des lunettes de sûreté. Nous vous recommandons aussi vivement de porter un masque antipoussières et des gants très épais.
5. **Assurez-vous que le foret est bien serré avant d'utiliser l'outil.**
6. **L'outil est conçu pour produire des vibrations dans des conditions normales d'utilisation.** Les vis peuvent facilement se desserrer et entraîner une panne ou un accident. Avant l'utilisation, vérifiez soigneusement que les vis sont bien serrées.

7. Par temps froid ou lorsque l'outil est resté inutilisé pendant une longue période, faites-le réchauffer pendant quelques minutes en le faisant fonctionner à vide. Cela réchauffera le lubrifiant. Sans un réchauffement adéquat, le martelage s'effectue difficilement.
8. Assurez-vous toujours de travailler en position stable.  
Lorsque vous utilisez l'outil dans un endroit élevé, assurez-vous qu'il n'y a personne en bas.
9. Tenez l'outil fermement à deux mains.
10. Gardez les mains éloignées des pièces en mouvement.
11. Ne vous éloignez pas en laissant l'outil tourner. Ne le faites fonctionner que lorsque vous l'avez bien en main.
12. Ne pointez l'outil vers personne autour de vous pendant l'utilisation. Le foret pourrait être éjecté et blesser quelqu'un grièvement.
13. Ne touchez pas le foret ou les parties situées près du foret immédiatement après l'utilisation ; ils peuvent être extrêmement chauds et brûler votre peau.
14. Certains matériaux contiennent des produits chimiques qui peuvent être toxiques. Prenez les précautions nécessaires pour éviter que la poussière dégagée lors du travail ne soit inhalée ou n'entre en contact avec la peau. Suivez les consignes de sécurité du fournisseur du matériau.

## CONSERVEZ CES INSTRUCTIONS.

### ⚠ AVERTISSEMENT :

NE vous laissez PAS tromper (au fil d'une utilisation répétée) par un sentiment d'aisance et de familiarité avec le produit, en négligeant le respect rigoureux des consignes de sécurité qui accompagnent le produit en question. La MAUVAISE UTILISATION de l'outil ou le non-respect des consignes de sécurité indiquées dans ce manuel d'instructions peuvent entraîner une blessure grave.

## DESCRIPTION DU FONCTIONNEMENT

### ⚠ ATTENTION :

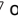

- Assurez-vous toujours que l'outil est hors tension et débranché avant de l'ajuster ou de vérifier son fonctionnement.

### Interrupteur (Fig. 1)

#### ⚠ ATTENTION :


- Avant de brancher l'outil, vérifiez toujours que la gâchette fonctionne correctement et qu'elle revient en position « OFF » une fois relâchée.


### Gâchette

La gâchette fonctionne lorsque l'outil est en mode  ou en mode .

Pour mettre l'outil en marche, il suffit d'appuyer sur la gâchette. Pour arrêter l'outil, libérez la gâchette.

### Interrupteur (Fig. 2)

L'interrupteur fonctionne lorsque l'outil est en mode .

Lorsque l'outil est en mode , l'interrupteur ressort et s'allume en rouge.

Pour démarrer l'outil, appuyez sur l'interrupteur.

L'interrupteur s'allume en vert.

Pour arrêter l'outil, appuyez de nouveau sur l'interrupteur.

## Changement de vitesse (Fig. 3)

Le nombre de tours (fréquence de rotation) et le nombre de frappes par minute (fréquence de frappe) peuvent être ajustés en tournant la molette de réglage. La molette est graduée de 1 (fréquence la plus faible) à 5 (fréquence la plus élevée).

Le tableau ci-dessous donne la relation entre les graduations de la molette de réglage et la fréquence de rotation/frappe.

Graduation de la molette de réglage	Tours par minute	Frappes par minute
5	500	2 900
4	470	2 700
3	380	2 150
2	290	1 650
1	250	1 450

014134

## Uniquement pour le modèle HR4013C

### NOTE :

- La fréquence de frappe à vide est plus faible que la fréquence de frappe en charge afin de réduire les vibrations en fonctionnement à vide, il ne s'agit pas d'un dysfonctionnement. Lorsque le perçage dans le béton avec un foret commence, la fréquence de frappe augmente jusqu'aux valeurs indiquées dans le tableau. Lorsque la température est basse et que la fluidité de la graisse est moindre, il est possible que cette fonction ne soit pas disponible même lorsque le moteur tourne.

### ⚠ ATTENTION :

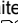
- L'utilisation de l'outil à faible vitesse pendant une période prolongée peut causer une surcharge du moteur, entraînant un dysfonctionnement de l'outil.
- Les positions extrêmes de la molette de réglage de la fréquence de frappe sont 5 et 1. Ne forcez pas la molette au-delà de 5 ou en deçà de 1 : le réglage de la fréquence risque de ne plus fonctionner.

## Sélection du mode


### ⚠ ATTENTION :

- Ne faites pas tourner le levier de changement pendant que l'outil tourne. Vous risqueriez d'abîmer l'outil.
- Pour éviter que le mécanisme de changement de mode ne s'use rapidement, assurez-vous que le levier de changement est bien placé sur l'une des positions de mode.


### Mode perçage avec percussion (Fig. 4)

Pour percer du béton, de la maçonnerie, etc., faites tourner le levier de changement pour le placer sur . Utilisez un foret à pointe au carbure de tungstène.

### Mode percussion (mode avec gâchette) (Fig. 5)

Pour le burinage, l'écaillage ou la démolition, faites tourner le levier de changement pour le placer sur . Utilisez un burin, un ciseau à froid, un ciseau à écailler, etc.


### Mode percussion (mode avec interrupteur)

Pour le burinage, l'écaillage ou la démolition en continu, faites tourner le levier de changement pour le placer sur . (Fig. 6)

L'interrupteur ressort et s'allume en rouge.

Utilisez un burin, un ciseau à froid, un ciseau à écailler, etc. (Fig. 7)

#### NOTE :

- Lorsque vous utilisez l'outil en mode , seul l'interrupteur fonctionne, la gâchette ne fonctionne pas.

### Limiteur de couple

Le limiteur de couple se déclenche lorsqu'un certain niveau de couple est atteint. Le moteur se désaccouple de l'arbre de sortie. Le foret cesse alors de tourner.

#### ATTENTION :

- Arrêtez l'outil dès que le limiteur de couple se déclenche. Ceci contribue à éviter l'usure prématurée de l'outil.

### Voyant lumineux (Fig. 8)

Le voyant vert de fonctionnement s'allume lorsque l'outil est branché. Si le voyant lumineux ne s'allume pas, vérifiez le bon fonctionnement du cordon d'alimentation et du contrôleur.

Si le voyant est allumé mais que l'outil ne démarre pas même lorsque vous le mettez en marche, vérifiez l'usure des charbons et le bon fonctionnement du contrôleur, du moteur et du commutateur de marche/arrêt.

Si les événements ci-dessus se produisent, arrêtez immédiatement l'outil et consultez le centre de service le plus proche.

Le voyant rouge d'entretien s'allume lorsque les charbons sont presque usés pour indiquer que l'outil nécessite un entretien. Le moteur s'arrête automatiquement après une certaine durée d'utilisation.

### ASSEMBLAGE

#### ATTENTION :

- Avant d'effectuer toute intervention sur l'outil, assurez-vous toujours qu'il est hors tension et débranché.

### Poignée latérale (Fig. 9)

#### ATTENTION :

- N'utilisez la poignée latérale que pour le burinage, l'écaillage ou les travaux de démolition. Ne l'utilisez pas pour des travaux de perçage dans le béton ou la maçonnerie, etc. Vous n'aurez pas l'outil bien en main si vous utilisez cette poignée pour percer.

La poignée latérale peut être orientée librement sur le plan vertical (360°) et fixée à la position désirée. Elle peut aussi être fixée selon 8 positions différentes vers l'arrière et vers l'avant sur le plan horizontal. Il suffit de desserrer l'écrou de serrage pour placer la poignée latérale dans la position désirée. Resserrez ensuite fermement l'écrou de serrage. (Fig. 10)

### Manche latéral (Fig. 11)

#### ATTENTION :

- Pour des raisons de sécurité, utilisez toujours le manche latéral pour le perçage dans le béton, la maçonnerie, etc.

Le manche latéral peut pivoter d'un côté à l'autre, ce qui permet de manipuler l'outil avec aisance dans n'importe quelle position. Desserrez le manche latéral en le faisant tourner dans le sens inverse des aiguilles d'une montre, faites-le pivoter jusqu'à la position désirée puis resserrez-le en tournant dans le sens des aiguilles d'une montre.

### Installation et démontage du foret

Nettoyez la queue du foret et appliquez de la graisse avant de l'installer. (Fig. 12)


Insérez le foret dans l'outil. Tournez le foret et poussez-le jusqu'à ce qu'il s'enclenche.


Si vous ne parvenez pas à enfoncer le foret, enlevez-le. Poussez plusieurs fois le capot du mandrin vers le bas. Insérez ensuite de nouveau le foret. Tournez le foret et poussez-le jusqu'à ce qu'il s'enclenche.

Après avoir installé le foret, assurez-vous toujours qu'il est fermement fixé en tirant dessus. (Fig. 13)

Pour démonter le foret, poussez le capot du mandrin à fond vers le bas et tirez sur le foret. (Fig. 14)

### Orientation du foret (burinage, écaillage ou travaux de démolition)

Le foret peut être fixé selon 24 angles différents. Pour modifier l'angle du foret, faites tourner le levier de changement de façon que l'index soit dirigé sur . Faites pivoter le foret jusqu'à l'angle désiré. (Fig. 15)

Faites tourner le levier de changement de façon que l'index soit dirigé sur . Assurez-vous ensuite que le foret est fermement fixé en le faisant tourner légèrement. (Fig. 16)

### Guide de profondeur

Le guide de profondeur est utile pour percer des trous de profondeur uniforme.

Appuyez sur le bouton de verrouillage et maintenez-le enfoncé, puis insérez le guide de profondeur dans le trou hexagonal. (Fig. 17)

Assurez-vous que l'orientation du côté denté du guide de profondeur correspond à celle du repère.

Ajustez le guide de profondeur en le déplaçant vers l'arrière et vers l'avant tout en appuyant sur le bouton de verrouillage. Une fois le réglage effectué, relâchez le bouton de verrouillage pour bloquer le guide de profondeur. (Fig. 18)

#### NOTE :


- Le guide de profondeur ne peut être utilisé dans une position où il frappe contre le carter d'engrenage/carter du moteur.

### UTILISATION

#### ATTENTION :

- Assurez-vous que le matériau est immobilisé et stable. Tout objet éjecté peut causer des blessures.
- Ne forcez pas sur l'outil pour le sortir même si le foret se coince. Toute perte de maîtrise de l'outil peut entraîner des blessures.

### Perçage avec percussion (Fig. 19)

Placez le levier de changement sur .

Placez le foret à l'emplacement désiré pour percer le trou, puis appuyez sur la gâchette.

Ne forcez pas l'outil. Vous obtiendrez de meilleurs résultats avec une légère pression. Gardez l'outil en position et empêchez-le de glisser hors du trou.

N'augmentez pas la pression sur l'outil lorsque le trou est bouché par des copeaux ou particules. Au contraire, laissez l'outil tourner au ralenti et retirez en partie le foret du trou. Répétez cette opération plusieurs fois afin de déboucher le trou puis reprenez le perçage normalement.



#### **⚠ ATTENTION :**

Une force de torsion soudaine et très élevée s'exerce sur l'outil/le foret lorsque le foret débouche de l'autre côté, lorsque le trou est encombré de copeaux ou de particules, ou lorsque le foret frappe contre les tiges d'armature du béton. Utilisez toujours le manche latéral (poignée auxiliaire) et tenez l'outil fermement par le manche latéral et par la poignée revolver (gâchette) pendant l'utilisation. Gardez une bonne position d'équilibre et une prise ferme au sol. Sinon, vous risquez de perdre le contrôle de l'outil et de subir une blessure grave.

#### **Poire soufflante (accessoire en option) (Fig. 20)**

Une fois le trou percé, utilisez la poire soufflante pour en retirer les poussières.

#### **Burinage/Écaillage/Démolition (Fig. 21)**

Placez le levier de changement sur  ou . Tenez l'outil fermement à deux mains. Démarrez l'outil et appliquez une légère pression sur celui-ci afin d'éviter des rebonds incontrôlés. Appliquer une forte pression sur l'outil n'augmentera pas son efficacité.

### **ENTRETIEN**

#### **⚠ ATTENTION :**

- Assurez-vous toujours que l'outil est hors tension et débranché avant d'y effectuer tout travail d'inspection ou d'entretien.
- N'utilisez jamais d'essence, de benzène, de diluant, d'alcool ou autre produit similaire, qui peuvent entraîner une décoloration, une déformation ou l'apparition de fissures.

#### **Lubrification**

#### **⚠ ATTENTION :**

- Cet entretien ne doit être réalisé que dans un centre de service agréé Makita.
- Ne lubrifiez pas l'outil juste après l'avoir utilisé, attendez qu'il ait refroidi. Le non-respect de cette consigne peut entraîner des brûlures cutanées.

Cet outil est équipé d'un système de lubrification interne et ne nécessite pas de lubrification quotidienne ou horaire. Cependant, il est nécessaire de remplacer régulièrement la graisse et les charbons pour prolonger la vie de l'outil.

(Modèle HR4003C) Desserrez les six vis et enlevez la poignée. **(Fig. 22)**

(Modèle HR4013C) Desserrez les huit vis et démontez le carter de protection, comme illustré sur la figure. Enlevez ensuite la poignée. **(Fig. 23 et 24)**

Enlevez le connecteur en tirant dessus. **(Fig. 25)**

Desserrez les vis et enlevez le levier de changement.

Enlevez le couvercle du carter du moteur. **(Fig. 26)**

Enlevez la plaque de commande. **(Fig. 27)**

Desserrez les six vis et enlevez le carter du moteur. Posez l'outil sur la table, l'extrémité du foret étant dirigée vers le haut. Ceci permet à l'ancienne graisse de s'écouler dans le carter du moteur. **(Fig. 28)**

Essuyez l'ancienne graisse se trouvant à l'intérieur et remplacez-la par de la graisse neuve (30 g). Utilisez exclusivement de l'authentique graisse pour marteau Makita (accessoire en option). Mettre plus de graisse que la quantité spécifiée (environ 30 g) peut fausser le mouvement de percussion ou entraîner une défaillance de l'outil. Ne mettez que la quantité spécifiée de graisse.

Remontez toutes les pièces que vous avez enlevées.

**(Fig. 29)**

Remettez le connecteur et la poignée en place. **(Fig. 30)**

#### **NOTE :**

- Toutes les vis n'ont pas la même longueur.

#### **REMARQUE**

- Ne serrez pas trop le carter du moteur. Il est en résine et risque de casser.
- Prenez garde à ne pas endommager le connecteur ou les fils connecteurs, particulièrement lorsque vous essuyez l'ancienne graisse ou lorsque vous installez la poignée.

Pour maintenir la SÉCURITÉ et la FIABILITÉ du produit, les réparations, travaux d'entretien et autres réglages doivent être effectués dans un centre de service Makita agréé, exclusivement avec des pièces de rechange Makita.

### **ACCESSOIRES EN OPTION**

#### **⚠ ATTENTION :**

- Ces accessoires ou pièces sont recommandés pour l'utilisation avec l'outil Makita spécifié dans ce mode d'emploi. L'utilisation de tout autre accessoire ou pièce peut comporter un risque de blessure. N'utilisez les accessoires ou pièces qu'aux fins auxquelles ils ont été conçus.

Si vous désirez obtenir plus de détails concernant ces accessoires, veuillez contacter le centre de service Makita le plus proche.

- Forets à pointe au carbure SDS-max
- Burin SDS-max
- Ciseau à froid SDS-max
- Ciseau à écailler SDS-max
- Ciseau à carrelage SDS-max
- Marteau-bêche SDS-max
- Graisse pour marteau
- Graisse pour foret
- Poignée latérale
- Manche latéral
- Guide de profondeur
- Poire soufflante
- Lunettes de sécurité
- Mallette de transport
- Système d'aspiration

#### **NOTE :**

- Il se peut que certains éléments de la liste soient fournis avec l'outil en tant qu'accessoires standard. Ils peuvent varier d'un pays à l'autre.

**Bruit**

Niveau de bruit pondéré A typique, déterminé selon la norme EN60745 :

Niveau de pression acoustique ( $L_{pA}$ ) : 92 dB (A)  
 Niveau de puissance acoustique ( $L_{WA}$ ) : 103 dB (A)  
 Incertitude (K) : 3 dB (A)

**Portez des protecteurs d'oreilles**

ENG900-1

**Vibrations**

Valeur totale des vibrations (somme vectorielle des trois axes) déterminée selon la norme EN60745 :

**Modèle HR4003C**

Mode de travail : burinage avec poignée latérale  
 Émission de vibrations ( $a_{h,ChEq}$ ) : 9,0 m/s<sup>2</sup>  
 Incertitude (K) : 1,5 m/s<sup>2</sup>

Mode de travail : burinage avec manche latéral  
 Émission de vibrations ( $a_{h,ChEq}$ ) : 9,0 m/s<sup>2</sup>  
 Incertitude (K) : 1,5 m/s<sup>2</sup>

Mode de travail : perçage avec percussion dans le béton  
 Émission de vibrations ( $a_{h,HD}$ ) : 10,0 m/s<sup>2</sup>  
 Incertitude (K) : 1,5 m/s<sup>2</sup>

**Modèle HR4013C**

Mode de travail : burinage avec poignée latérale  
 Émission de vibrations ( $a_{h,ChEq}$ ) : 4,5 m/s<sup>2</sup>  
 Incertitude (K) : 1,5 m/s<sup>2</sup>

Mode de travail : burinage avec manche latéral  
 Émission de vibrations ( $a_{h,ChEq}$ ) : 4,5 m/s<sup>2</sup>  
 Incertitude (K) : 1,5 m/s<sup>2</sup>

Mode de travail : perçage avec percussion dans le béton  
 Émission de vibrations ( $a_{h,HD}$ ) : 5,0 m/s<sup>2</sup>  
 Incertitude (K) : 1,5 m/s<sup>2</sup>

ENG901-1

- La valeur d'émission de vibrations déclarée a été mesurée conformément à la méthode d'essai normalisée et peut être utilisée pour comparer les outils entre eux.
- La valeur d'émission de vibration déclarée peut aussi être utilisée pour réaliser une évaluation préliminaire de l'exposition.

** AVERTISSEMENT :**

- L'émission de vibration pendant l'utilisation réelle de l'outil peut différer de la valeur d'émission déclarée en fonction de la façon dont l'outil est utilisé.
- Assurez-vous que les mesures de sécurité visant à protéger l'opérateur sont basées sur une estimation de l'exposition dans les conditions normales d'utilisation, en tenant compte de toutes les phases du cycle de fonctionnement, y compris les périodes d'arrêt et de fonctionnement à vide et en charge.

**Pour les pays d'Europe uniquement****Déclaration de conformité CE**

**Je soussigné, représentant de Makita Corporation, fabricant, déclare que la (les) machine(s) Makita suivante(s) :**

Désignation de la machine :  
 Marteau Perforateur  
 N° de modèle/Type : HR4003C, HR4013C

est un produit de série et **est conforme aux Directives européennes suivantes :**

2006/42/CE

et est fabriquée conformément aux normes ou documents normalisés suivants :

EN60745

La documentation technique est conservée par :

Makita International Europe Ltd.  
 Technical Department,  
 Michigan Drive, Tongwell,  
 Milton Keynes, Bucks MK15 8JD, Angleterre

6.2.2013



Tomoyasu Kato  
 Directeur

Makita Corporation  
 3-11-8, Sumiyoshi-cho,  
 Anjo, Aichi, 446-8502, JAPAN

Übersicht

1 Elektronikschalter	10 Seitengriff	19 Schutzabdeckung
2 Schaltknopf	11 Einsatzschaft	20 Steckverbinder
3 Stellrad	12 Bohrer-/Meißelfett	21 Schraube
4 Betriebsartenschalter	13 Einsatz	22 Kurbeldeckelverkleidung
5 Zeiger	14 Futterabdeckung	23 Steuerplatte
6 Betriebsanzeigelampe (grün)	15 Tiefenanschlag	24 Kurbeldeckel
7 Wartungsanzeigelampe (rot)	16 Arretierknopf	25 Hammerfett
8 Zusatzhandgriff	17 Ausblaspipette	
9 Knebelmutter	18 Schrauben	

**TECHNISCHE DATEN**

Modell		HR4003C	HR4013C
Kapazitäten	Bohrer mit Hartmetallschneide	40 mm	
	Bohrkrone	105 mm	
Leerlaufdrehzahl (min <sup>-1</sup> )		250 – 500	
Schlagzahl pro Minute		1 450 – 2 900	
Gesamtlänge		479 mm	
Nettogewicht		6,2 kg	6,8 kg
Schutzklasse		□/II	

GEB007-7

- Aufgrund unseres Dauerprogramms der Forschung und Entwicklung unterliegen die hier angegebenen technischen Daten Änderung ohne Vorankündigung.
- Die technischen Daten können von Land zu Land abweichen.
- Gewicht nach EPTA-Verfahren 01/2003

ENE044-1

**Verwendungszweck**

Die Maschine ist für Hammerbohren in Ziegel, Beton und Stein sowie für Meißelarbeiten vorgesehen.

ENF002-2

**Netzanschluss**

Die Maschine sollte nur an eine Stromquelle angeschlossen werden, deren Spannung mit der Angabe auf dem Typenschild übereinstimmt, und kann nur mit Einphasen-Wechselstrom betrieben werden. Diese sind doppelt schutzisoliert und können daher auch an Steckdosen ohne Erdleiter verwendet werden.

GEA010-1

**Allgemeine Sicherheitswarnungen für Elektrowerkzeuge**

**⚠️ WARNUNG Lesen Sie alle Sicherheitswarnungen und Anweisungen durch.** Eine Missachtung der unten aufgeführten Warnungen und Anweisungen kann zu einem elektrischen Schlag, Brand und/oder schweren Verletzungen führen.

**Bewahren Sie alle Warnungen und Anweisungen für spätere Bezugnahme auf.**

**SICHERHEITSWARNUNGEN FÜR BOHRHAMMER**

1. **Tragen Sie Gehörschützer.** Lärmwirkung kann zu Hörverlust führen.
2. **Benutzen Sie (einen) Zusatzgriff(e), sofern er (sie) mit dem Werkzeug geliefert wurde(n).** Verlust der Kontrolle kann Verletzungen verursachen.
3. **Halten Sie das Elektrowerkzeug nur an den isolierten Griffflächen, wenn Sie Arbeiten ausführen, bei denen die Gefahr besteht, dass verborgene Kabel oder das eigene Kabel kontaktiert werden.** Bei Kontakt mit einem Strom führenden Kabel können die freiliegenden Metallteile des Elektrowerkzeugs ebenfalls Strom führend werden, so dass der Benutzer einen elektrischen Schlag erleiden kann.
4. **Tragen Sie Schutzhelm, Schutzbrille und/oder Gesichtsschutz. Eine gewöhnliche Brille oder Sonnenbrille ist KEIN Ersatz für eine Schutzbrille. Das Tragen einer Staubmaske und dick gepolsterter Handschuhe ist ebenfalls zu empfehlen.**
5. **Vergewissern Sie sich vor der Arbeit, dass der Einsatz sicher montiert ist.**
6. **Die Maschine erzeugt konstruktionsbedingt Vibrationen bei normalem Betrieb. Durch Lockerung von Schrauben kann es zu einem Ausfall oder Unfall kommen. Überprüfen Sie sorgfältig die Festigkeit der Schrauben vor der Arbeit.**



7. Lassen Sie die Maschine bei niedrigen Temperaturen oder nach längerer Nichtbenutzung eine Zeit lang im Leerlauf warm laufen. Dadurch wird die Schmierung verbessert. Betrieb im kalten Zustand erschwert die Schlagbohrarbeit.
8. Achten Sie stets auf sicheren Stand. Vergewissern Sie sich bei Einsatz der Maschine an hochgelegenen Arbeitsplätzen, dass sich keine Personen darunter aufhalten.
9. Halten Sie die Maschine mit beiden Händen fest.
10. Halten Sie die Hände von beweglichen Teilen fern.
11. Lassen Sie die Maschine nicht unbeaufsichtigt laufen. Benutzen Sie die Maschine nur mit Handhaltung.
12. Richten Sie die Maschine während des Betriebs nicht auf umstehende Personen. Der Einsatz könnte herausschnellen und schwere Verletzungen verursachen.
13. Vermeiden Sie eine Berührung des Einsatzes oder der umliegenden Teile unmittelbar nach der Bearbeitung, weil die Teile noch sehr heiß sind und Hautverbrennungen verursachen können.
14. Manche Materialien können giftige Chemikalien enthalten. Treffen Sie Vorsichtsmaßnahmen, um das Einatmen von Arbeitsstaub und Hautkontakt zu verhüten. Befolgen Sie die Sicherheitsdaten des Materialherstellers.

Zum Starten der Maschine den Schalterknopf drücken. Die Schalterleuchte leuchtet grün.  
Zum Stoppen der Maschine den Schalterknopf erneut drücken.

### Drehzahlumschaltung (Abb. 3)

Die Drehzahl und Schlagzahl pro Minute kann durch Drehen des Stellrads eingestellt werden. Auf dem Stellrad sind die Positionen 1 (niedrigste Drehzahl/Schlagzahl) bis 5 (höchste Drehzahl/Schlagzahl) markiert.

Die Beziehung zwischen den Stellrad-Positionen und der Drehzahl/Schlagzahl pro Minute ist aus der nachstehenden Tabelle ersichtlich.

Stellradposition	Umdrehungen pro Minute	Schläge pro Minute
5	500	2 900
4	470	2 700
3	380	2 150
2	290	1 650
1	250	1 450

014134

### Nur für Modell HR4013C

#### HINWEIS:

- Die Schlagzahl bei Nulllast wird kleiner als die Schlagzahl bei Last, um Vibrationen unter Nulllast zu verringern. Dies ist jedoch kein Anzeichen für eine Störung. Sobald der Hammerbetrieb auf Beton beginnt, erhöht sich die Schlagzahl pro Minute und erreicht die in der Tabelle angegebenen Werte. Bei niedrigen Temperaturen, wenn das Schmierfett zähflüssiger ist, weist die Maschine diese Funktion trotz des rotierenden Motors eventuell nicht auf.

#### ⚠ VORSICHT:

- Wird die Maschine über längere Zeitspannen im Dauerbetrieb mit niedriger Drehzahl betrieben, kann das zu einer Überlastung des Motors führen, was eine Funktionsstörung zur Folge haben kann.
- Das Schlagzahl-Stellrad lässt sich nur bis 5 und zurück auf 1 drehen. Wird es gewaltsam über 5 oder 1 hinaus gedreht, lässt sich die Schlagzahl möglicherweise nicht mehr einstellen.

## BEWAHREN SIE DIESE HINWEISE SORGFÄLTIG AUF.

### ⚠ WARNUNG:

Lassen Sie sich NICHT durch Bequemlichkeit oder Vertrautheit mit dem Produkt (durch wiederholten Gebrauch erworben) von der strikten Einhaltung der Sicherheitsregeln für das vorliegende Produkt abhalten. MISSBRAUCH oder Missachtung der Sicherheitsvorschriften in dieser Anleitung können schwere Verletzungen verursachen.

## FUNKTIONSBESCHREIBUNG

### ⚠ VORSICHT:


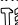
- Vergewissern Sie sich vor jeder Einstellung oder Funktionsprüfung der Maschine stets, dass sie ausgeschaltet und vom Stromnetz getrennt ist.

### Schalterfunktion (Abb. 1)

#### ⚠ VORSICHT:


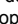
- Vergewissern Sie sich vor dem Anschließen der Maschine an das Stromnetz stets, dass der Elektronikschalter ordnungsgemäß funktioniert und beim Loslassen in die "AUS"-Stellung zurückkehrt.

### Elektronikschalter

Dieser Schalter ist funktionsfähig, wenn die Maschine auf die Betriebsart des Symbols  und des Symbols  eingestellt wird.

Zum Einschalten der Maschine einfach den Elektronikschalter drücken. Zum Ausschalten den Elektronikschalter loslassen.

### Schalterknopf (Abb. 2)


Dieser Schalter ist funktionsfähig, wenn die Maschine auf die Betriebsart des Symbols  eingestellt wird. Befindet sich die Maschine in der Betriebsart des Symbols , ist der Schalterknopf ausgerastet und leuchtet rot.

### Wahl der Betriebsart

#### ⚠ VORSICHT:

- Betätigen Sie den Betriebsartenschalter nicht während des Betriebs der Maschine. Die Maschine kann sonst beschädigt werden.
- Um schnellen Verschleiß des Betriebsart-Umschaltmechanismus zu vermeiden, achten Sie stets darauf, dass der Betriebsartenschalter einwandfrei in einer der Betriebsartpositionen eingerastet ist.

### Hammerbohrmodus (Abb. 4)

Für Bohren in Beton, Mauerwerk usw. drehen Sie den Betriebsartenschalter auf das Symbol . Verwenden Sie einen Bohrer mit Hartmetallschneide.

### Schlagmodus (Elektronikschaltermodus) (Abb. 5)

Für Meißeln, Entzundern oder Demolieren drehen Sie den Betriebsartenschalter auf das Symbol . Verwenden Sie einen Spitzmeißel, Flachmeißel, Putzmeißel usw.

### Schlagmodus (Schalterknopfmodus)

Für kontinuierliches Meißeln, Entzundern oder Demolieren drehen Sie den Betriebsartenschalter auf das Symbol . (Abb. 6)

Der Schalterknopf ragt heraus und leuchtet rot.

Verwenden Sie einen Spitzmeißel, Flachmeißel, Putzmeißel usw. (Abb. 7)

### HINWEIS:

- Wird die Maschine im Modus des Symbols verwendet, funktioniert der Elektronikschalter nicht, sondern nur der Schalterknopf.

### Drehmomentbegrenzer

Der Drehmomentbegrenzer tritt in Aktion, wenn das Drehmoment ein bestimmtes Niveau erreicht. Der Motor wird von der Ausgangswelle abgekuppelt. Wenn dies eintritt, bleibt der Bohrer stehen.

### ⚠ VORSICHT:

- Schalten Sie die Maschine bei Aktivierung des Drehmomentbegrenzers sofort aus. Dies verhindert vorzeitigen Verschleiß der Maschine.

### Anzeigelampe (Abb. 8)

Die grüne Betriebsanzeigelampe leuchtet auf, wenn die Maschine angeschlossen wird. Leuchtet die Anzeigelampe nicht auf, ist möglicherweise das Netzkabel oder die Steuerschaltung defekt.

Läuft die Maschine trotz leuchtender Lampe nicht an, wenn sie eingeschaltet wird, sind möglicherweise die Kohlebürsten abgenutzt, oder die Steuerschaltung, der Motor oder der EIN/AUS-Schalter ist defekt.

Falls die obigen Symptome auftreten, brechen Sie sofort die Benutzung der Maschine ab, und wenden Sie sich an Ihre örtliche Kundendienststelle.

Die rote Wartungsanzeigelampe leuchtet auf, wenn die Kohlebürsten nahezu völlig abgenutzt sind, um zu melden, dass die Maschine gewartet werden muss. Nach einer gewissen Betriebszeit schaltet sich der Motor automatisch ab.

### MONTAGE

#### ⚠ VORSICHT:

- Vergewissern Sie sich vor der Ausführung von Arbeiten an der Maschine stets, dass sie ausgeschaltet und vom Stromnetz getrennt ist.

### Zusatzhandgriff (Abb. 9)

#### ⚠ VORSICHT:

- Benutzen Sie den Zusatzhandgriff nur zum Meißeln, Entzundern oder Demolieren. Benutzen Sie ihn nicht zum Bohren in Beton, Mauerwerk usw. Beim Bohren kann die Maschine mit diesem Zusatzhandgriff nicht richtig gehalten werden.

Der Zusatzhandgriff kann vertikal um 360° geschwenkt und in jeder gewünschten Stellung gesichert werden. Er kann auch horizontal auf acht verschiedene Positionen vor- und zurückgeschoben und gesichert werden. Einfach die Knebelmutter lösen, um den Zusatzhandgriff auf die gewünschte Position zu schwenken. Dann die Knebelmutter fest anziehen. (Abb. 10)

### Seitengriff (Abb. 11)

#### ⚠ VORSICHT:

- Benutzen Sie immer den Seitengriff, um beim Bohren in Beton, Mauerwerk usw. Betriebssicherheit zu gewährleisten.

Der Seitengriff lässt sich zu beiden Seiten schwenken, um leichte Handhabung der Maschine in jeder Position zu ermöglichen. Den Seitengriff durch Linksdrehen lösen, auf die gewünschte Position schwenken, und dann durch Rechtsdrehen wieder festziehen.

### Montage und Demontage des Einsatzes

Den Einsatzschaft vor der Montage des Einsatzes reinigen und mit dem Bohrer-/Meißelfett schmieren. (Abb. 12)

Den Einsatz in die Maschine einführen. Den Einsatz drehen und hineindrücken, bis er einrastet.

Falls sich der Einsatz nicht hineindrücken lässt, ist er wieder zu entfernen. Die Futterabdeckung mehrmals nach unten ziehen. Dann den Einsatz wieder einführen. Den Einsatz drehen und hineindrücken, bis er einrastet. Prüfen Sie nach der Montage stets den sicheren Sitz des Einsatzes durch Zugversuch. (Abb. 13)

Zum Entfernen des Einsatzes die Futterabdeckung bis zum Anschlag nach unten ziehen und den Einsatz herausziehen. (Abb. 14)

### Einsatzwinkel (beim Meißeln, Entzundern oder Demolieren)

Der Einsatz kann in 24 verschiedenen Positionen eingespannt werden. Um den Einsatzwinkel zu ändern, den Betriebsartenschalter so drehen, dass der Zeiger auf das Symbol zeigt. Den Einsatz auf den gewünschten Winkel drehen. (Abb. 15)

Drehen Sie den Betriebsartenschalter so, dass der Zeiger auf das Symbol zeigt. Vergewissern Sie sich dann durch leichtes Drehen, dass der Einsatz einwandfrei gesichert ist. (Abb. 16)

### Tiefenanschlag

Der Tiefenanschlag ist praktisch, um Löcher von gleicher Tiefe zu bohren.

Halten Sie den Arretierknopf gedrückt, und führen Sie den Tiefenanschlag in das Sechskantloch ein. (Abb. 17) Vergewissern Sie sich, dass die gezahnte Seite des Tiefenanschlags zur Markierung weist.

Stellen Sie den Tiefenanschlag ein, indem Sie ihn bei gedrücktem Arretierknopf vor und zurück schieben. Lassen Sie nach der Einstellung den Arretierknopf los, um den Tiefenanschlag zu verriegeln. (Abb. 18)

### HINWEIS:


- Der Tiefenanschlag kann nicht in einer Position verwendet werden, in der er gegen das Getriebegehäuse/Motorgehäuse stößt.

### BETRIEB

#### ⚠ VORSICHT:

- Vergewissern Sie sich, dass das Arbeitsmaterial gesichert und nicht instabil ist. Ein herausgeschleudertes Objekt kann Verletzungen verursachen.
- Ziehen Sie die Maschine nicht gewaltsam heraus, selbst wenn der Einsatz stecken bleibt. Verlust der Kontrolle kann Verletzungen verursachen.

### Hammerbohrbetrieb (Abb. 19)

Stellen Sie den Betriebsartenschalter auf das Symbol .

Setzen Sie den Bohrer auf die gewünschte Bohrstelle, und drücken Sie dann den Elektronikschalter.

Üben Sie keinen übermäßigen Druck auf die Maschine aus. Leichter Druck liefert die besten Ergebnisse. Halten Sie die Maschine in Position, und vermeiden Sie Abrutschen vom Loch.

Üben Sie keinen stärkeren Druck aus, wenn das Bohrloch mit Spänen oder Bohrmehl zugesetzt wird. Lassen Sie statt dessen die Maschine leer laufen, und ziehen Sie dann den Bohrer teilweise aus dem Bohrloch heraus. Durch mehrmaliges Wiederholen dieses Vorgangs wird das Bohrloch ausgeräumt, so dass der Bohrbetrieb fortgesetzt werden kann.



#### **VORSICHT:**

- Beim Durchbruch der Bohrung, bei Verstopfung der Bohrung mit Spänen und Partikeln, oder beim Auftreffen auf Betonstahl wirkt eine starke, plötzliche Drehkraft auf Maschine und Bohrer. Montieren Sie stets den Seitengriff (Zusatzgriff), und halten Sie die Maschine während der Arbeit mit beiden Händen an Seitengriff und Schaltergriff fest, während Sie gute Balance und sicheren Stand beibehalten. Eine Missachtung dieser Vorsichtsmaßnahme kann den Verlust der Kontrolle über die Maschine und mögliche schwere Verletzungen zur Folge haben.

### Ausblaspipette (Sonderzubehör) (Abb. 20)

Blasen Sie den Staub nach dem Bohren des Lochs mit einer Ausblaspipette aus dem Loch.

### Meißeln/Entzundern/Demolieren (Abb. 21)

Stellen Sie den Betriebsartenschalter auf das Symbol  oder .

Halten Sie die Maschine mit beiden Händen fest. Schalten Sie die Maschine ein, und üben Sie leichten Druck auf die Maschine aus, damit sie nicht unkontrolliert springt. Übermäßige Druckausübung auf die Maschine bewirkt keine Erhöhung der Arbeitsleistung.

## WARTUNG

#### **VORSICHT:**

- Denken Sie vor der Durchführung von Überprüfungen oder Wartungsarbeiten stets daran, die Maschine auszuschalten und vom Stromnetz zu trennen.
- Verwenden Sie auf keinen Fall Benzin, Benzol, Verdünnern, Alkohol oder dergleichen. Solche Mittel können Verfärbung, Verformung oder Rissbildung verursachen.

### Schmierung

#### **VORSICHT:**

- Diese Wartung sollte nur von autorisierten Makita-Kundendienststellen durchgeführt werden.
- Schmieren Sie die Maschine nicht unmittelbar nach dem Betrieb, sondern lassen Sie sie erst abkühlen. Anderenfalls kann es zu Hautverbrennungen kommen.

Diese Maschine benötigt keine stündliche oder tägliche Schmierung, weil sie mit einem versiegelten Fettschmiersystem ausgestattet ist. Um eine lange Lebensdauer der Maschine zu gewährleisten, ist es jedoch notwendig, Schmierfett und Kohlebürsten regelmäßig zu wechseln.

(Für Modell HR4003C) Die sechs Schrauben lösen, und den Handgriff abnehmen. **(Abb. 22)**

(Für Modell HR4013C) Die acht Schrauben lösen. Entfernen Sie auch die Schutzabdeckung, wie in der Abbildung gezeigt. Montieren Sie dann den Handgriff ab. **(Abb. 23 und 24)**

Den Steckverbinder abziehen. **(Abb. 25)**

Die Schrauben lösen, und den Betriebsartenschalter entfernen.

Die Kurbeldeckelverkleidung abnehmen. **(Abb. 26)**

Die Steuerplatte abnehmen. **(Abb. 27)**

Die sechs Schrauben lösen, und den Kurbeldeckel abnehmen. Legen Sie die Maschine mit nach oben gerichteter Werkzeugaufnahme auf den Tisch. Dadurch kann sich das Altfett im Kurbelgehäuse ansammeln. **(Abb. 28)**

Wischen Sie das Altfett aus, und ersetzen Sie es durch frisches Fett (30 g). Verwenden Sie nur Original-Hammerfett von Makita (Sonderzubehör). Bei Überschreitung der vorgeschriebenen Fettmenge (ca. 30 g) kann es zu Störungen des Hammerbetriebs oder Versagen der Maschine kommen. Füllen Sie nur die vorgeschriebene Fettmenge ein.

Montieren Sie alle demontierten Teile wieder. **(Abb. 29)**

Den Steckverbinder wieder anschließen, und den Handgriff wieder montieren. **(Abb. 30)**

#### **HINWEIS:**

- Beachten Sie, dass Schrauben von unterschiedlicher Länge verwendet werden.

#### **BEMERKUNG**

- Ziehen Sie den Kurbeldeckel nicht zu fest an. Er besteht aus Kunststoff und kann leicht brechen.
- Achten Sie darauf, dass Sie den Steckverbinder und die Zuleitungsdrähte nicht beschädigen, insbesondere wenn Sie das Altfett auswischen oder den Handgriff montieren.

Um die SICHERHEIT und ZUVERLÄSSIGKEIT dieses Produkts zu gewährleisten, sollten Reparaturen und andere Wartungs- oder Einstellarbeiten nur von autorisierten Makita-Kundendienststellen unter ausschließlicher Verwendung von Makita-Originalersatzteilen ausgeführt werden.

## SONDERZUBEHÖR

#### **VORSICHT:**

- Die folgenden Zubehörteile oder Vorrichtungen werden für den Einsatz mit der in dieser Anleitung beschriebenen Makita-Maschine empfohlen. Die Verwendung anderer Zubehörteile oder Vorrichtungen kann eine Verletzungsgefahr darstellen. Verwenden Sie Zubehörteile oder Vorrichtungen nur für ihren vorgesehenen Zweck.

Wenn Sie weitere Einzelheiten bezüglich dieser Zubehörteile benötigen, wenden Sie sich bitte an Ihre Makita-Kundendienststelle.

- SDS-Max-Bohrer mit Hartmetallschneide
- SDS-Max-Spitzmeißel
- SDS-Max-Flachmeißel
- SDS-Max-Putzmeißel
- SDS-Max-Fliesenmeißel
- SDS-Max-Spatenmeißel
- Hammerfett
- Bohrer-/Meißelfett
- Zusatzhandgriff

- Seitengriff
- Tiefenanschlag
- Ausblaspipette
- Schutzbrille
- Tragekoffer
- Staubabsaugvorrichtung

**HINWEIS:**

• Manche Teile in der Liste können als Standardzubehör im Werkzeugsatz enthalten sein. Sie können von Land zu Land unterschiedlich sein.

ENG905-1

**Geräusch**

Typischer A-bewerteter Geräuschpegel ermittelt gemäß EN60745:

Schalldruckpegel ( $L_{pA}$ ): 92 dB (A)  
 Schalleistungspegel ( $L_{WA}$ ): 103 dB (A)  
 Ungewissheit (K): 3 dB (A)

**Gehörschutz tragen**

ENG900-1

**Vibration**

Vibrationsgesamtwert (Drei-Achsen-Vektorsumme) ermittelt gemäß EN60745:

**Modell HR4003C**

Arbeitsmodus: Meißelfunktion mit Zusatzhandgriff  
 Vibrationsemission ( $a_{h,CHeg}$ ): 9,0 m/s<sup>2</sup>  
 Ungewissheit (K): 1,5 m/s<sup>2</sup>

Arbeitsmodus: Meißelfunktion mit Seitengriff  
 Vibrationsemission ( $a_{h,CHeg}$ ): 9,0 m/s<sup>2</sup>  
 Ungewissheit (K): 1,5 m/s<sup>2</sup>

Arbeitsmodus: Hammerbohren in Beton  
 Vibrationsemission ( $a_{h,HD}$ ): 10,0 m/s<sup>2</sup>  
 Ungewissheit (K): 1,5 m/s<sup>2</sup>

**Modell HR4013C**

Arbeitsmodus: Meißelfunktion mit Zusatzhandgriff  
 Vibrationsemission ( $a_{h,CHeg}$ ): 4,5 m/s<sup>2</sup>  
 Ungewissheit (K): 1,5 m/s<sup>2</sup>

Arbeitsmodus: Meißelfunktion mit Seitengriff  
 Vibrationsemission ( $a_{h,CHeg}$ ): 4,5 m/s<sup>2</sup>  
 Ungewissheit (K): 1,5 m/s<sup>2</sup>

Arbeitsmodus: Hammerbohren in Beton  
 Vibrationsemission ( $a_{h,HD}$ ): 5,0 m/s<sup>2</sup>  
 Ungewissheit (K): 1,5 m/s<sup>2</sup>

ENG901-1

- Der angegebene Vibrationsemissionswert wurde im Einklang mit der Standardprüfmethode gemessen und kann für den Vergleich zwischen Maschinen herangezogen werden.
- Der angegebene Vibrationsemissionswert kann auch für eine Vorbewertung des Gefährdungsgrads verwendet werden.

**⚠️ WARNUNG:**

- Die Vibrationsemission während der tatsächlichen Benutzung des Elektrowerkzeugs kann je nach der Benutzungsweise der Maschine vom angegebenen Emissionswert abweichen.
- Identifizieren Sie Sicherheitsmaßnahmen zum Schutz des Benutzers anhand einer Schätzung des Gefährdungsgrads unter den tatsächlichen Benutzungsbedingungen (unter Berücksichtigung aller Phasen des Arbeitszyklus, wie z. B. Ausschalt- und Leerlaufzeiten der Maschine zusätzlich zur Betriebszeit).

ENH101-16

**Nur für europäische Länder**

**EG-Übereinstimmungserklärung**

**Wir, Makita Corporation als verantwortlicher Hersteller, erklären, dass die folgende(n) Makita-Maschine(n):**

Bezeichnung der Maschine: Bohrhammer  
 Modell-Nr./Typ: HR4003C, HR4013C  
 der Serienproduktion entstammen und **den folgenden europäischen Richtlinien entsprechen:**

2006/42/EG  
 und gemäß den folgenden Standards oder standardisierten Dokumenten hergestellt werden: EN60745

Die technische Dokumentation befindet sich im Bestand von:

Makita International Europe Ltd.  
 Technische Abteilung,  
 Michigan Drive, Tongwell,  
 Milton Keynes, Bucks MK15 8JD, England

6.2.2013



Tomoyasu Kato  
 Direktor  
 Makita Corporation  
 3-11-8, Sumiyoshi-cho,  
 Anjo, Aichi, 446-8502, JAPAN

**Visione generale**

1 Interruttore	9 Dado di fermo	19 Coperchio protezione
2 Bottone interruttore	10 Impugnatura laterale	20 Connettore
3 Ghiera di regolazione	11 Codolo punta	21 Vite
4 Leva di cambio	12 Grasso punta	22 Coperchio cappello manovellismo
5 Indice	13 Punta	23 Piastra di controllo
6 Spia di indicazione accensione (verde)	14 Coperchio portapunta	24 Cappello manovellismo
7 Spia di indicazione servizio (rossa)	15 Spessimetro	25 Grasso martello
8 Manico laterale	16 Bottone di blocco	
	17 Pompetta soffiatrice	
	18 Viti	

**DATI TECNICI**

Modello		HR4003C	HR4013C
Capacità	Punta con riporto al carburo	40 mm	
	Punta a corona	105 mm	
Velocità senza carico (min <sup>-1</sup> )		250 – 500	
Colpi al minuto		1.450 – 2.900	
Lunghezza totale		479 mm	
Peso netto		6,2 kg	6,8 kg
Classe di sicurezza		□/II	

GEB007-7

- Per il nostro continuo programma di ricerca e sviluppo, i presenti dati tecnici sono soggetti a cambiamenti senza avviso.
- I dati tecnici potrebbero differire a seconda del paese di destinazione del modello.
- Peso in base alla procedura EPTA 01/2003

ENE044-1

**Utilizzo previsto**

Questo utensile è progettato per la foratura con martellamento dei mattoni, cemento e pietre, come pure per i lavori di scalpellatura.

ENF002-2

**Alimentazione**

Questo utensile deve essere collegato soltanto a una fonte di alimentazione con la stessa tensione indicata sulla targhetta del nome, e può funzionare soltanto con la corrente alternata monofase. Esso ha un doppio isolamento, per cui può essere usato anche con le prese di corrente sprovviste della messa a terra.

GEA010-1

**Avvertimenti generali per la sicurezza dell'utensile elettrico**

**⚠ AVVERTIMENTO** Leggere tutti gli avvertimenti per la sicurezza e le istruzioni. La mancata osservanza degli avvertimenti e delle istruzioni può causare scosse elettriche, incendio e/o gravi incidenti.

**Conservare tutti gli avvertimenti e le istruzioni per riferimenti futuri.**

**AVVERTIMENTI PER LA SICUREZZA DEL MARTELLO ROTATIVO**

1. **Usare paraorecchi.** L'esposizione al rumore può causare la perdita dell'udito.
2. **Usare i manici ausiliari, se sono in dotazione all'utensile.** La perdita di controllo dell'utensile può causare un incidente.
3. **Tenere l'utensile elettrico per le sue superfici di presa isolate quando si eseguono operazioni in cui l'accessorio di taglio potrebbe fare contatto con fili elettrici nascosti o con il suo stesso cavo.** L'accessorio di taglio che fa contatto con un filo elettrico "sotto tensione" potrebbe mettere "sotto tensione" le parti metalliche esposte dell'utensile elettrico dando una scossa all'operatore.
4. **Indossare un casco rigido (casco di sicurezza), occhiali di sicurezza e/o una visiera. I normali occhiali o gli occhiali da sole NON sono occhiali di sicurezza. Si consiglia anche altamente di usare una mascherina antipolvere e guanti con una spessa imbottitura.**
5. **Accertarsi che la punta sia fissata saldamente in posizione prima di procedere con il lavoro.**
6. **Durante il normale funzionamento l'utensile produce vibrazioni. Le viti potrebbero perciò allentarsi facilmente causando un guasto o un incidente. Controllare con cura che le viti siano strette saldamente prima di procedere con il lavoro.**
7. **D'inverno, o se l'utensile non è stato usato per un lungo periodo di tempo, lasciarlo riscaldare per diversi minuti facendolo funzionare a vuoto. Ciò scioglie il lubrificante. Senza un riscaldamento sufficiente l'operazione di martellamento è difficile.**

8. Accertarsi sempre di avere i piedi appoggiati saldamente.  
Accertarsi che non ci sia nessuno sotto se si usa l'utensile in un posto alto.
9. Tenere saldamente l'utensile con entrambe le mani.
10. Tenere le mani discoste dalle parti in movimento.
11. Non posare l'utensile mentre funziona.  
L'utensile va fatto funzionare soltanto tenendolo in mano.
12. Non puntare l'utensile sulle persone mentre lo si usa nell'area di lavoro. La punta potrebbe schizzare via e ferire seriamente qualcuno.
13. Non toccare la punta o le parti vicine alla punta immediatamente dopo una operazione, perché potrebbero essere estremamente calde e causare bruciate.
14. Alcuni materiali contengono sostanze chimiche che potrebbero essere tossiche. Fare attenzione in modo da evitare l'inalazione della polvere e il contatto con la pelle. Seguire le istruzioni per la sicurezza del fornitore del materiale.

## CONSERVARE QUESTE ISTRUZIONI.

### ⚠ AVVERTIMENTO:

NON lasciare che la comodità d'utilizzo o la familiarità con il prodotto (acquisita con l'uso ripetuto) sostituisca la stretta osservanza delle norme per la sua sicurezza. L'utilizzo SBAGLIATO o la mancata osservanza delle norme di sicurezza di questo manuale di istruzioni potrebbero causare lesioni serie.

## DESCRIZIONE FUNZIONALE

### ⚠ ATTENZIONE:

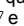
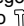
- Accertarsi sempre che l'utensile sia spento e staccato dalla presa di corrente prima di regolarlo o di controllarne il funzionamento.

### Funzionamento dell'interruttore (Fig. 1)

#### ⚠ ATTENZIONE:


- Prima di collegare l'utensile alla presa di corrente, controllare sempre che l'interruttore funzioni correttamente e che torni sulla posizione "OFF" quando viene rilasciato.

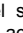
#### Interruttore

L'interruttore funziona quando si regola l'utensile nelle modalità del simbolo  e del simbolo .

Per avviare l'utensile, schiacciare semplicemente l'interruttore. Rilasciare l'interruttore per fermarlo.

#### Bottone interruttore (Fig. 2)

Questo interruttore funziona quando si regola l'utensile nella modalità del simbolo .

Quando l'utensile è nella modalità del simbolo , il bottone interruttore si sporge in fuori e si accende rosso. Per avviare l'utensile, premere il bottone interruttore. La spia dell'interruttore diventa verde.

Per arrestare l'utensile, premere di nuovo il bottone interruttore.

#### Cambio di velocità (Fig. 3)

Le rotazioni e i colpi al minuto possono essere regolati semplicemente girando la ghiera di regolazione. La ghiera è segnata da 1 (velocità più bassa) a 5 (velocità massima).

Vedere la tabella sotto per il rapporto tra le regolazioni dei numeri sulla ghiera di regolazione e le rotazioni/colpi al minuto.

Numero sulla ghiera di regolazione	Rotazioni al minuto	Colpi al minuto
5	500	2.900
4	470	2.700
3	380	2.150
2	290	1.650
1	250	1.450

014134

### Modello HR4013C soltanto

#### NOTA:

- I colpi al minuto senza carico si riducono rispetto a quelli sotto carico, per ridurre le vibrazioni quando senza carico, ma ciò non indica un problema. Quando si comincia una operazione con la punta appoggiata al cemento, i colpi al minuto aumentano e raggiungono i numeri come mostrato nella tabella. Se la temperatura è bassa e il grasso è meno fluido, l'utensile potrebbe non avere questa funzione anche con il motore che gira.

#### ⚠ ATTENZIONE:


- Se si fa funzionare l'utensile continuamente alle basse velocità per un lungo periodo di tempo, si potrebbe causare il sovraccarico del motore con un conseguente malfunzionamento dell'utensile.
- La ghiera di regolazione della velocità può essere girata soltanto fino a 5 e indietro fino a 1. Non forzarla oltre il 5 o l'1, perché altrimenti la funzione di regolazione della velocità potrebbe diventare inutilizzabile.

### Selezione della modalità di funzionamento

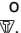
#### ⚠ ATTENZIONE:

- Non girare la leva di cambio mentre l'utensile sta funzionando. Ciò danneggia l'utensile.
- Per evitare di usurare rapidamente il meccanismo di cambio modalità, accertarsi che la leva di cambio sia sempre situata correttamente su una delle posizioni delle modalità di funzionamento.

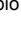
#### Modalità di foratura con martellamento (Fig. 4)

Per la foratura del cemento, muratura, ecc., girare la ghiera di cambio sul simbolo . Usare una punta con riporto al carburo di tungsteno.

#### Modalità di martellamento (modalità grilletto interruttore) (Fig. 5)

Per le operazioni di scheggiatura, disincrostazione o demolizione, girare la leva di cambio sul simbolo . Usare una punta da roccia, tagliolo a freddo, scalpello per disincrostare, ecc.


#### Modalità di martellamento (modalità bottone interruttore)

Per le operazioni continue di scheggiatura, disincrostazione o demolizione, girare la leva di cambio sul simbolo  (Fig. 6)

Il bottone interruttore si sporge in fuori e si accende rosso.

Usare una punta da roccia, tagliolo a freddo, scalpello per disincrostare, ecc. (Fig. 7)

## NOTA:

- Quando si usa l'utensile nella modalità del simbolo , l'interruttore non funziona e funziona soltanto il bottone interruttore.

## Limitatore di coppia

Il limitatore di coppia si attiva quando la coppia raggiunge un certo livello. Il motore si disinnesta dall'albero di trasmissione. In questo caso, la punta smette di girare.

### ATTENZIONE:

- Spegnerne immediatamente l'utensile non appena il limitatore di coppia si attiva. Ciò aiuta a evitare l'usura prematura dell'utensile.

## Spia di indicazione accensione (Fig. 8)

La spia di indicazione accensione verde si accende quando si collega l'utensile alla presa di corrente. Se la spia di indicazione accensione non si accende, il cavo di alimentazione o il controllore potrebbe essere difettoso.

Se la spia di indicazione accensione si accende ma l'utensile non si avvia anche se è acceso, le spazzole di carbone potrebbero essere usurate, oppure il controllore, il motore o l'interruttore ON/OFF potrebbe essere difettoso.

Se si verifica quanto sopra, smettere immediatamente di usare l'utensile e rivolgersi al centro di assistenza locale. La spia di indicazione servizio rossa si accende quando le spazzole di carbone sono quasi del tutto usurate, per indicare che l'utensile ha bisogno di un intervento di manutenzione. Dopo un certo periodo di utilizzo, il motore si spegne automaticamente.

## MONTAGGIO

### ATTENZIONE:

- Accertarsi sempre che l'utensile sia spento e staccato dalla presa di corrente prima di un qualsiasi intervento su di esso.

## Manico laterale (Fig. 9)

### ATTENZIONE:

- Usare il manico laterale soltanto per le operazioni di scheggiatura, disincrostazione o demolizione. Non usarlo per la foratura del cemento, muratura, ecc. L'utensile non può essere tenuto correttamente con questo manico laterale durante l'operazione di foratura.

Il manico laterale può essere girato di 360° in verticale, e fissato su qualsiasi posizione desiderata. Esso può anche essere fissato su otto posizioni diverse avanti e indietro in orizzontale. Allentare semplicemente il dado di fermo per girare il manico laterale sulla posizione desiderata. Stringere poi saldamente il dado di fermo. (Fig. 10)

## Impugnatura laterale (Fig. 11)

### ATTENZIONE:

- Usare sempre l'impugnatura laterale per la sicurezza del lavoro durante le operazioni di foratura del cemento, muratura, ecc.

L'impugnatura laterale può essere spostata sui due lati in modo da permettere il comodo maneggiamento dell'utensile in qualsiasi posizione. Allentare l'impugnatura laterale girandola in senso antiorario, spostarla sulla posizione desiderata e fissarla poi girandola in senso orario.

## Installazione o rimozione della punta

Pulire il codolo della punta e cospargerlo di grasso prima di installare la punta. (Fig. 12)


Inserire la punta nell'utensile. Girare la punta e spingerla dentro finché rimane agganciata.

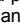
Rimuovere la punta se non è possibile spingerla dentro. Tirare giù un paio di volte il coperchio portapunta. Inserire poi di nuovo la punta. Girare la punta e spingerla dentro finché rimane agganciata.

Dopo l'installazione, accertarsi sempre che la punta sia mantenuta saldamente in posizione provando a tirarla fuori. (Fig. 13)

Per rimuovere la punta, tirare giù completamente il coperchio portapunta e tirare fuori la punta. (Fig. 14)

## Angolo punta (per le operazioni di scheggiatura, disincrostazione o demolizione)

La punta può essere fissata a 24 angoli diversi. Per cambiare l'angolo della punta, girare la leva di cambio in modo che l'indice sia puntato sul simbolo . Girare la punta sull'angolo desiderato. (Fig. 15)

Girare la leva di cambio in modo che l'indice sia puntato sul simbolo . Accertarsi poi che la punta sia mantenuta saldamente in posizione girandola leggermente. (Fig. 16)

## Spessimetro

Lo spessimetro è comodo per praticare fori della stessa profondità.

Mantenere premuto il bottone di blocco, e inserire il calibro di profondità nel foro esagonale. (Fig. 17)

Accertarsi che il lato dentato del calibro di profondità sia rivolto sul segno.

Regolare il calibro di profondità spostandolo avanti e indietro mentre si mantiene premuto il bottone di blocco.

Dopo la regolazione, rilasciare il bottone di blocco per bloccare il calibro di profondità. (Fig. 18)

## NOTA:


- Il calibro di profondità non può essere usato sulla posizione in cui sbatte contro l'alloggiamento dell'ingranaggio/alloggiamento del motore.

## FUNZIONAMENTO

### ATTENZIONE:

- Accertarsi che il pezzo da lavorare sia fissato e che non sia instabile. Gli oggetti che volano via possono causare incidenti.
- Non tirar via l'utensile usando forza, anche se la punta rimane incastrata. La perdita di controllo potrebbe causare un incidente.

## Operazione di foratura con martellamento (Fig. 19)

Regolare la leva di cambio sul simbolo .

Mettere la punta sul punto desiderato per il foro, e schiacciare poi l'interruttore.

Non forzare l'utensile. Una leggera pressione produce i risultati migliori. Mantenere l'utensile in posizione ed evitare che scivoli via dal foro.

Non esercitare una pressione maggiore se il foro diventa intasato di trucioli o scorie. Farlo invece girare a vuoto e rimuovere poi parzialmente la punta dal foro. Ripetendo ciò diverse volte, il foro si pulisce e si può continuare l'operazione di foratura.

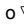

### **ATTENZIONE:**

- Sull'utensile punta viene esercitata una tremenda e improvvisa forza torcente al momento della fuoriuscita dal foro, quando il foro diventa intasato di trucioli e particelle, o quando la punta urta contro le barre di rinforzo incorporate nel cemento. Usare sempre l'impugnatura laterale (manico ausiliario) e tenere saldamente l'utensile per l'impugnatura laterale e il manico interruttore durante le operazioni, e mantenere un buon equilibrio e l'appoggio sicuro dei piedi. In caso contrario, si potrebbe verificare la perdita di controllo dell'utensile e un potenziale serio incidente.

### **Pompette soffiatrice (accessorio opzionale) (Fig. 20)**

Dopo la trapanatura del foro, usare la pompette soffiatrice per togliere la polvere dal foro.

### **Scheggiatura/disincrostazione/demolizione (Fig. 21)**

Regolare la leva di cambio sul simbolo  o .

Tenere saldamente l'utensile con entrambe le mani. Accendere l'utensile e applicare una leggera pressione su di esso in modo che non rimbalzi senza controllo. Premendo molto forte sull'utensile non si aumenta l'efficienza.

## **MANUTENZIONE**

### **ATTENZIONE:**

- Accertarsi sempre che l'utensile sia spento e staccato dalla presa di corrente prima dell'ispezione o della manutenzione.
- Mai usare benzina, benzene, solventi, alcol e altre sostanze simili. Potrebbero causare scolorimenti, deformazioni o crepe.

### **Lubrificazione**

#### **ATTENZIONE:**

- Questo servizio di manutenzione deve essere eseguito soltanto nei centri di assistenza Makita autorizzati.
- La lubrificazione non deve essere eseguita subito dopo una operazione. Aspettare che l'utensile si sia raffreddato. In caso contrario c'è il pericolo di bruciature sulla pelle.

Questo utensile non richiede la lubrificazione oraria o giornaliera, perché ha un sistema di lubrificazione a grasso compresso. Bisogna però sostituire periodicamente il grasso e le spazzole di carbone, in modo da assicurare la lunga vita dell'utensile.

(Modello HR4003C) Svitare le sei viti e rimuovere il manico. (Fig. 22)

(Modello HR4013C) Svitare le otto viti. Rimuovere poi il coperchio protezione come mostrato nella illustrazione. Rimuovere poi il manico. (Fig. 23 e 24)

Rimuovere il connettore tirandolo. (Fig. 25)

Svitare le viti e rimuovere la leva di cambio.

Rimuovere il coperchio cappello manovellismo. (Fig. 26)

Rimuovere la piastra di controllo. (Fig. 27)

Svitare le sei viti e rimuovere il cappello manovellismo. Posare l'utensile sul tavolo con l'estremità della punta rivolta in alto. Ciò permette al vecchio grasso di raccogliersi all'interno dell'alloggiamento del manovellismo. (Fig. 28)

Togliere il vecchio grasso all'interno e sostituirlo con il nuovo grasso (30 g). Usare soltanto il grasso per martelli genuino Makita (accessorio opzionale). Se si riempie di grasso oltre la quantità specificata (circa 30 g) si può causare una azione di martellamento difettosa o un guasto dell'utensile. Riempire soltanto con la quantità specificata di grasso.

Reinstallare tutte le parti rimosse. (Fig. 29)

Attaccare il connettore e reinstallare il manico. (Fig. 30)

### **NOTA:**

- Tenere presente che vengono usate viti di lunghezza diversa.

### **AVVISO**

- Non stringere eccessivamente il cappello manovellismo. Esso è fatto di resina e si può rompere.
- Fare attenzione a non danneggiare il connettore o i fili elettrici, soprattutto quando si toglie il vecchio grasso o si installa il manico.

Per preservare la SICUREZZA e l'AFFIDABILITÀ del prodotto, le riparazioni, qualsiasi altra manutenzione o regolazione devono essere eseguite da un centro assistenza Makita autorizzato usando sempre ricambi Makita.

## **ACCESSORI OPZIONALI**

### **ATTENZIONE:**

- Questi accessori o attrezzi sono consigliati per l'uso con l'utensile Makita specificato in questo manuale. L'impiego di altri accessori o attrezzi può costituire un rischio di lesioni alle persone. Usare gli accessori o attrezzi soltanto per il loro scopo prefissato.

Per ottenere maggiori dettagli su questi accessori, rivolgersi a un centro assistenza Makita locale.

- Punte con riporto al carburo di tungsteno SDS-Max
- Punta da roccia SDS-Max
- Tagliolo a freddo SDS-Max
- Scalpello per disincrostare SDS-Max
- Scalpello per mattonelle SDS-Max
- Vanga per argilla SDS-Max
- Grasso martello
- Grasso punta
- Manico laterale
- Impugnatura laterale
- Spessimetro
- Pompette soffiatrice
- Occhiali di sicurezza
- Valigetta di trasporto
- Accessorio estrattore di polvere

### **NOTA:**

- Alcuni articoli nella lista potrebbero essere inclusi nell'imballo dell'utensile come accessori standard. Essi potrebbero differire da Paese a Paese.

ENG905-1

### **Rumore**

Il tipico livello di rumore pesato A determinato secondo EN60745:

Livello pressione sonora ( $L_{PA}$ ): 92 dB (A)

Livello di potenza sonora ( $L_{WA}$ ): 103 dB (A)

Incertezza (K): 3 dB (A)

**Indossare i paraorecchie**



**Vibrazione**

Il valore totale di vibrazione (somma vettore triassiale) determinato secondo EN60745:

**Modello HR4003C**

Modalità operativa: Funzione di scalpellatura con manico laterale

Emissione di vibrazioni ( $a_{h,CHed}$ ): 9,0 m/s<sup>2</sup>

Incertezza (K): 1,5 m/s<sup>2</sup>

Modalità operativa: Funzione di scalpellatura con impugnatura laterale

Emissione di vibrazioni ( $a_{h,CHed}$ ): 9,0 m/s<sup>2</sup>

Incertezza (K): 1,5 m/s<sup>2</sup>

Modalità operativa: Foratura con martellamento del cemento

Emissione di vibrazioni ( $a_{h,HD}$ ): 10,0 m/s<sup>2</sup>

Incertezza (K): 1,5 m/s<sup>2</sup>

**Modello HR4013C**

Modalità operativa: Funzione di scalpellatura con manico laterale

Emissione di vibrazioni ( $a_{h,CHed}$ ): 4,5 m/s<sup>2</sup>

Incertezza (K): 1,5 m/s<sup>2</sup>

Modalità operativa: Funzione di scalpellatura con impugnatura laterale

Emissione di vibrazioni ( $a_{h,CHed}$ ): 4,5 m/s<sup>2</sup>

Incertezza (K): 1,5 m/s<sup>2</sup>

Modalità operativa: Foratura con martellamento del cemento

Emissione di vibrazioni ( $a_{h,HD}$ ): 5,0 m/s<sup>2</sup>

Incertezza (K): 1,5 m/s<sup>2</sup>

ENG901-1

- Il valore di emissione delle vibrazioni dichiarato è stato misurato conformemente al metodo di test standard, e può essere usato per paragonare un utensile con un altro.
- Il valore di emissione delle vibrazioni dichiarato può anche essere usato per una valutazione preliminare dell'esposizione.

**⚠ AVVERTIMENTO:**

- L'emissione delle vibrazioni durante l'uso reale dell'utensile elettrico può differire dal valore di emissione dichiarato a seconda dei modi in cui viene usato l'utensile.
- Accertarsi di identificare le misure di sicurezza per la protezione dell'operatore basate sulla stima dell'esposizione nelle condizioni reali d'utilizzo (tenendo presente tutte le parti del ciclo operativo, come le volte in cui l'utensile viene spento e quando gira a vuoto, oltre al tempo di funzionamento).

**Modello per l'Europa soltanto****Dichiarazione CE di conformità**

**Noi della Makita Corporation, come produttori responsabili, dichiariamo che le macchine Makita seguenti:**

Designazione della macchina:

Martello rotativo

Modello No./Tipo: HR4003C, HR4013C

sono una produzione di serie e

**conformi alle direttive europee seguenti:**

2006/42/CE

E sono fabbricate conformemente ai seguenti standard o documenti standardizzati:

EN60745

La documentazione tecnica è tenuta da:

Makita International Europe Ltd.

Reparto tecnico,

Michigan Drive, Tongwell,

Milton Keynes, Bucks MK15 8JD, Inghilterra

6.2.2013



Tomoyasu Kato

Amministratore

Makita Corporation

3-11-8, Sumiyoshi-cho,

Anjo, Aichi, 446-8502, JAPAN

**Verklaring van algemene gegevens**

1 Trekkerschakelaar	10 Zijhandvat	19 Beschermkap
2 Schakelknop	11 Bitschacht	20 Aansluitstekker
3 Snelheidsregelknop	12 Smeervet	21 Schroef
4 Functiekeuzeknop	13 Schroefbit	22 Drijfwerkdeksel
5 Wijzer	14 Klombuskap	23 Regelplaat
6 Werkingslampje AAN (groen)	15 Diepteaanslag	24 Drijfwerkdop
7 Waarschuwinglampje (rood)	16 Vergrendelknop	25 Hamersmeervet
8 D-handgreep	17 Blaasbalgje	
9 Borgmoer	18 Schroeven	

**TECHNISCHE GEGEVENS**

Model		HR4003C	HR4013C
Capaciteiten	Carbidepunt-bit	40 mm	
	Kernbit	105 mm	
Toerental onbelast (min <sup>-1</sup> )		250 – 500	
Slagen per minuut		1 450 – 2 900	
Totale lengte		479 mm	
Nettogewicht		6,2 kg	6,8 kg
Veiligheidsklasse		□/II	

GEB007-7

- Vanwege ons voortgaand onderzoeks- en ontwikkelingsprogramma kunnen de bijgaande technische gegevens zonder voorafgaande kennisgeving worden gewijzigd.
- De technische gegevens kunnen van land tot land verschillen.
- Gewicht volgens de EPTA-procedure 01/2003

ENE044-1

**Doeleinden van gebruik**

Dit gereedschap is bestemd voor het slagboren in baksteen, beton en natuursteen, evenals voor beitelwerk.

ENF002-2

**Stroomvoorziening**

Het gereedschap mag alleen worden aangesloten op een stroombron van hetzelfde voltage als aangegeven op de naamplaat, en kan alleen op enkel-fase wisselstroom worden gebruikt. Het gereedschap is dubbel-geïsoleerd en kan derhalve ook op een niet-geaard stopcontact worden aangesloten.

GEA010-1

**Algemene veiligheidswaarschuwingen voor elektrisch gereedschap**

**⚠ WAARSCHUWING!** Lees alle veiligheidswaarschuwingen en alle instructies. Het niet volgen van de waarschuwingen en instructies kan leiden tot elektrische schokken, brand en/of ernstig letsel.

**Bewaar alle waarschuwingen en instructies om in de toekomst te kunnen raadplegen.**

**VEILIGHEIDSVOORSCHRIFTEN VOOR DE BOORHAMER**

1. **Draag gehoorbescherming.** Blootstelling aan harde geluiden kan leiden tot gehoorbeschadiging.
2. **Gebruik de hulphandgrepen, als deze bij het gereedschap werden geleverd.** Als u de controle over het gereedschap verliest, kan dit leiden tot ernstig persoonlijk letsel.
3. **Houd elektrisch gereedschap vast aan het geïsoleerde oppervlak van de handgrepen wanneer u werkt op plaatsen waar het booraccessoire met verborgen bedrading of zijn eigen snoer in aanraking kan komen.** Wanneer het booraccessoire in aanraking komen met onder spanning staande draden, zullen de niet-geïsoleerde metalen delen van het gereedschap onder spanning komt te staan zodat de gebruiker een elektrische schok kan krijgen.
4. **Draag een veiligheidshelm, veiligheidsbril en/of spatscherm. Een gewone bril of een zonnebril is GEEN veiligheidsbril. Het wordt tevens sterk aanbevolen een stofmasker en dik gevoerde handschoenen te dragen.**
5. **Controleer of de boor stevig op zijn plaats zit voordat u het gereedschap gebruikt.**
6. **Bij normale bediening behoort het gereedschap te trillen. De schroeven kunnen gemakkelijk losraken, waardoor een defect of ongeval kan ontstaan. Controleer of de schroeven goed zijn aangedraaid, alvorens het gereedschap te gebruiken.**

7. In koude weersomstandigheden of wanneer het gereedschap gedurende een lange tijd niet is gebruikt, laat u het gereedschap eerst opwarmen door het onbelast te laten werken. Hierdoor zal de smering worden verbeterd. Zonder degelijk opwarmen, zal de hamerwerking moeilijk zijn.
8. Zorg er altijd voor dat u stevig staat. Zorg ervoor dat er niemand zich onder u bevindt wanneer u het gereedschap op een hoge plaats gebruikt.
9. Houd het gereedschap met beide handen stevig vast.
10. Houd uw handen uit de buurt van bewegende delen.
11. Laat het gereedschap niet ingeschakeld liggen. Bedien het gereedschap alleen wanneer u het vasthoudt.
12. Richt het gereedschap niet op iemand in de buurt terwijl het is ingeschakeld. De boor zou eruit kunnen vliegen en iemand ernstig verwonden.
13. Raak de boor en onderdelen in de buurt van de boor niet onmiddellijk na gebruik aan. Zij kunnen bijzonder heet zijn en brandwonden op uw huid veroorzaken.
14. Sommige materialen bevatten chemische stoffen die giftig kunnen zijn. Neem voorzorgsmaatregelen tegen het inademen van stof en contact met de huid. Volg de veiligheidsinstructies van de leverancier van het materiaal op.

## BEWAAR DEZE VOORSCHRIFTEN.

### ⚠ WAARSCHUWING:

**LAAT NIET** uw vertrouwdeheid met het gereedschap (na regelmatig gebruik) omslaan in slordigheid of onachtzaamheid omtrent de strik na te leven veiligheidsvoorschriften voor dit product. **VERKEERD GEBRUIK** of het niet naleven van de veiligheidsvoorschriften in deze gebruiksaanwijzing kan leiden tot ernstige verwondingen.

## BESCHRIJVING VAN DE FUNCTIES

### ⚠ LET OP:



- Zorg altijd dat het gereedschap is uitgeschakeld en de stekker uit het stopcontact is verwijderd alvorens de functies op het gereedschap te controleren of af te stellen.

### Schakelaarwerking (Fig. 1)

#### ⚠ LET OP:


- Controleer voordat u de stekker in het stopcontact steekt, altijd even of de trekkerschakelaar goed werkt en bij loslaten naar de "UIT"-stand terugkeert.

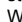
### Trekkerschakelaar

Deze schakelaar werkt wanneer het gereedschap in de -stand of de -stand is gezet.

Om het gereedschap te starten, drukt u enkel de trekkerschakelaar in. Laat de trekkerschakelaar los om te stoppen.

### Schakelknop (Fig. 2)

Deze knop werkt wanneer het gereedschap in de -stand is gezet.

Wanneer het gereedschap in de -stand is gezet, komt de schakelknop omhoog en licht dan rood op.

Om het gereedschap te starten, drukt u op de schakelknop. De knop licht dan groen op.

Om het gereedschap te stoppen, drukt u nogmaals op de schakelknop.

### Snelheid regelen (Fig. 3)

De draaisnelheid en het aantal slagen per minuut kunnen worden ingesteld door aan de snelheidsregelknop te draaien. De regelknop is gemarkeerd van 1 (laagste snelheid) tot 5 (hoogste snelheid).

Zie de onderstaande tabel voor de overeenkomst tussen de cijfers op de snelheidsregelknop en de draaisnelheid/aantal slagen per minuut.

Cijfer op de snelheidsregelknop	Omwentelingen per minuut	Slagen per minuut
5	500	2 900
4	470	2 700
3	380	2 150
2	290	1 650
1	250	1 450

014134

### Alleen voor model HR4013C

#### OPMERKING:

- Het onbelaste aantal slagen per minuut wordt minder dan het aantal in belaste toestand, om de onbelaste trillingen te verminderen; dit duidt niet op onjuiste werking. Wanneer u het bit tegen beton aan plaatst en het werk begint, wordt het aantal slagen per minuut verhoogd tot het aantal dat in de tabel staat vermeld. Bij een lage temperatuur, wanneer het smeervet minder vloeibaar is, kan het gereedschap deze functie niet altijd gebruiken, ook al draait de motor normaal.

#### ⚠ LET OP:

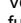
- Als het gereedschap lang achtereen op lage snelheden wordt gebruikt, kan de motor overbelast raken hetgeen tot een defect kan leiden.
- De snelheidsregelknop kan enkel tot 5 en terug tot 1 gedraaid worden. Probeer niet om de knop voorbij de 5 of verder terug dan 1 te draaien, anders kan de snelheidsregelaar defect raken.

### Functiekeuze

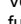
#### ⚠ LET OP:

- Draai niet aan de functiekeuzeknop terwijl het gereedschap in werking is. Dat zal het gereedschap beschadigen.
- Om snelle slijtage aan het keuzemechanisme te vermijden, dient u te zorgen dat de keuzeknop altijd precies goed in de gewenste stand is gezet.

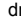
### Slagboorstand (Fig. 4)

Voor het boren in beton, metselwerk e.d. draait u de functiekeuzeknop naar de -stand. Gebruik een bit met wolframcarbide punt.

### Hamerstand (trekkerschakelaarstand) (Fig. 5)


Voor hak-, afbik- of sloopwerkzaamheden draait u de functiekeuzeknop naar de -stand. Gebruik een puntbeitel, koubeitel of bikbeitel, enz.

### Hamerstand (schakelknopstand)

Voor aanhoudend beetelwerk, afbikwerk of sloopwerk draait u de functiekeuzeknop naar de -stand. (Fig. 6)

De schakelknop komt omhoog en licht rood op. Gebruik een puntbeitel, koubetel of bikbeitel, enz. (Fig. 7)

#### OPMERKING:

- Bij gebruik van het gereedschap in de -stand zal de trekkerschakelaar niet werken, maar alleen de schakelknop werkt dan.

#### Koppelbegrenzer

De koppelbegrenzer treedt in werking wanneer het koppel een bepaalde waarde bereikt. De motor wordt dan losgekoppeld van de aandrijfas. In dat geval stopt het bit met draaien.

#### LET OP:

- Zodra de koppelbegrenzer in werking treedt, schakelt u het gereedschap onmiddellijk uit. Dit om voortijdige slijtage van het gereedschap te voorkomen.

#### Werkingslampje (Fig. 8)

Het groene AAN-werkingslampje licht op wanneer u de stekker in het stopcontact steekt. Als het werkingslampje niet oplicht, kan er iets mis zijn met het stroomsnoer of de regeleenheid.

Wanneer het werkingslampje wel oplicht maar het gereedschap niet start, ook al is het ingeschakeld, dan kunnen de koolborstels versleten zijn of kan de regeleenheid, de motor of de AAN/UIT-schakelaar defect zijn.

Als een dergelijk verschijnsel zich voordoet, staakt u onmiddellijk het gebruik van het gereedschap en neemt u contact op met uw plaatselijke servicecentrum.

Het rode waarschuwinglampje licht op wanneer de koolborstels bijna versleten zijn, om u te waarschuwen dat onderhoud aan het gereedschap vereist is. Na een bepaalde gebruikperiode wordt de motor automatisch uitgeschakeld.

#### INEENZETTEN

#### LET OP:

- Zorg altijd dat het gereedschap is uitgeschakeld en de stekker uit het stopcontact is verwijderd alvorens enig werk aan het gereedschap uit te voeren.

#### D-handgreep (Fig. 9)

#### LET OP:

- Gebruik de D-handgreep alleen voor hak- of beetelwerk, afbikwerk of sloopwerk. Gebruik deze greep niet voor het boren in beton, metselwerk e.d. Het gereedschap kan met deze D-handgreep niet op de juiste wijze voor het boren worden vastgehouden.

De D-handgreep is verticaal 360° draaibaar en kan in elke gewenste stand worden vastgezet. De D-handgreep is ook vast te zetten in acht verschillende standen voor- of achterwaarts in horizontale richting. Draai enkel de borgmoer los om de D-handgreep naar de gewenste stand te draaien. Draai vervolgens de borgmoer weer stevig vast. (Fig. 10)

#### Zijhandvat (Fig. 11)

#### LET OP:

- Gebruik altijd het zijhandvat voor een veilige bediening bij het boren in beton, metselwerk e.d.

Het zijhandvat kan naar beide kanten worden omgeklapt, voor een comfortabel gebruik van het gereedschap in elke stand. Draai het zijhandvat los door het linksom te draaien, klap het in de gewenste stand en draai het dan rechtsom weer vast.

#### Aanbrengen en verwijderen van het bit

Reinig de bitschacht en breng wat smeervet aan voordat u het bit installeert. (Fig. 12)

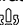
Steek het bit in het gereedschap. Draai het bit en druk het aan totdat het vastklikt.


Als het bit niet ingedrukt kan worden, verwijdert u het bit dan. Trek de klembuskap enkele malen omlaag. Steek dan het bit opnieuw in. Draai het bit en druk het aan totdat het vastklikt.

Na het aanbrengen dient u altijd te controleren of het bit stevig op zijn plaats zit, door te proberen het eruit te trekken. (Fig. 13)

Om het bit te verwijderen, trekt u de klembuskap helemaal omlaag en dan trekt u het bit eruit. (Fig. 14)

#### Bihoek (voor hak-, afbik- of sloopwerk)

Het bit kan in 24 verschillende hoekstanden worden vastgezet. Om de bihoek te wijzigen, draait u de functiekeuzeknop zo dat de wijzer naar het  symbool wijst. Draai het bit naar de gewenste hoek. (Fig. 15)

Draai de functiekeuzeknop zo dat de wijzer naar het  symbool wijst. Controleer dan of het bit stevig vast zit door er even aan te draaien. (Fig. 16)

#### Diepteaanslag

De diepteaanslag is nuttig voor het boren van gaten van gelijke diepte.

Druk de borgknop in en houd die ingedrukt en steek de diepteaanslag in de zeshoekige opening. (Fig. 17)

Zorg dat de gekartelde kant van de diepteaanslag naar de schaalmarkering wijst.

Verstel de diepteaanslag door die voor- en achterwaarts te schuiven terwijl u de borgknop ingedrukt houdt. Na het instellen laat u de borgknop los om de diepteaanslag vast te zetten. (Fig. 18)

#### OPMERKING:

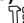
- De diepteaanslag kan niet worden gebruikt in de stand waarbij de diepteaanslag tegen het tandwielhuis/motorhuis aan komt.

#### BEDIENING

#### LET OP:

- Zorg dat uw werkmateriaal stevig vast staat en niet uit balans kan raken. Rondvliegende stukken kunnen verwondingen veroorzaken.
- Trek het gereedschap niet met kracht er uit, ook niet wanneer het bit klem is geraakt. Verlies van controle kan leiden tot verwondingen.

#### Slagboorbediening (Fig. 19)

Zet de functiekeuzeknop in de -stand.

Plaats de punt van het bit op de plaats waar u een gat wilt boren en druk dan op de trekkerschakelaar.

Forceer het gereedschap niet. Een lichte druk geeft de beste resultaten. Houd het gereedschap zorgvuldig op zijn plaats en zorg dat de boor niet uit het gat raakt.

Oefen niet méér druk uit wanneer het gat verstopt raakt met schilfertjes of boorgruis. Laat daarentegen het gereedschap "stationair" draaien en trek de boorkop ietwat terug uit de opening. Door dit enkele malen te herhalen, wordt het gat uitgeruimd, zodat u kunt doorgaan met boren.


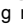
### LET OP:

- Er kan plotseling een enorme kracht worden uitgeoefend op het gereedschap/bit wanneer er een gat wordt doorboord, als een gat verstoppt raakt met scherven of kiezels, of wanneer er in gewapend beton een stalen staaf wordt geraakt. Gebruik altijd het zijhandvat (hulphandgreep) en houd het gereedschap tijdens het gebruik stevig vast bij zowel het zijhandvat als de schakelhandgreep, zorg daarbij dat u stevig staat en steeds uw evenwicht bewaart. Als u dit niet doet, kunt u de controle over het gereedschap verliezen en mogelijk zware verwondingen oplopen.

### **Blaasbalgje (optioneel accessoire) (Fig. 20)**

Nadat het gat geboord is, gebruikt u het blaasbalgje om het stof uit het gat te blazen.

### **Hakken/Afbikken/Slopen (Fig. 21)**

Zet de functiekeuzeknop in de  of -stand.

Houd het gereedschap stevig met beide handen vast. Schakel het gereedschap in en oefen lichte druk uit op het gereedschap zodat het niet ongecontroleerd rondspringt. Hard drukken op het gereedschap zal de werking ervan niet verbeteren.

## **ONDERHOUD**

### LET OP:

- Zorg altijd dat het gereedschap is uitgeschakeld en de stekker uit het stopcontact is verwijderd alvorens te beginnen met inspectie of onderhoud.
- Gebruik nooit benzine, wasbenzine, thinner, alcohol en dergelijke. Hierdoor kunnen verkleuring, vervormingen en barsten worden veroorzaakt.

### **Smering**

#### LET OP:

- Dit onderhoud mag alleen worden verricht bij een erkend Makita-servicecentrum.
- Ga niet direct na gebruik smeren, maar wacht tot het gereedschap is afgekoeld. Anders zou u brandwonden kunnen oplopen.

Dit gereedschap hoeft niet ieder uur of elke dag gesmeerd te worden, omdat het een zelfsmarend systeem met inwendig smeervet heeft. Het is echter wel nodig om regelmatig het smeervet en de koolborstels te vernieuwen voor een lange levensduur van het gereedschap.

(Voor het model HR4003C) Draai de zes schroeven los en verwijder de handgreep. (Fig. 22)

(Voor het model HR4013C) Draai de acht schroeven los. Verwijder vervolgens de beschermkap zoals getoond in de afbeelding. Verwijder dan de handgreep. (Fig. 23 en 24)

Trek de aansluitstekker los. (Fig. 25)

Draai de schroeven los en verwijder de functiekeuzeknop.

Verwijder het drijfwerkdeksel. (Fig. 26)

Verwijder de regelplaat. (Fig. 27)

Draai de zes schroeven los en verwijder de drijfwerkdop. Plaats het gereedschap op een tafel met het bit-einde omhoog gericht. Zo zorgt u dat het oude smeervet zich binnen het drijfwerkhuis verzamelt. (Fig. 28)

Veeg het oude smeervet eruit weg en vervang dit door vers smeervet (30 g). Gebruik alleen origineel Makita hamersmeervet (optioneel accessoire). Opvullen met meer dan de voorgeschreven hoeveelheid smeervet (ongeveer 30 g) kan onjuiste hamerwerking of defecten in het gereedschap veroorzaken. Vul het altijd met de voorgeschreven hoeveelheid smeervet.

Breng alle verwijderde onderdelen weer aan. (Fig. 29)  
Maak de aansluitstekker vast en monteer de handgreep weer. (Fig. 30)

### **OPMERKING:**

- Let op – er worden schroeven van verschillende lengte bij gebruikt.

### **KENNISGEVING**

- Draai de drijfwerkdop niet al te stevig vast. Deze is van kunsthar en zou gemakkelijk kunnen breken.
- Pas op dat u de aansluitstekker en de stroomdraden niet beschadigt, vooral tijdens het uitvegen van het oude smeervet of het weer aanbrengen van de handgreep.

Om de VEILIGHEID en BETROUWBAARHEID van het product te handhaven, dienen alle reparaties en alle andere onderhoudswerkzaamheden of afstellingen te worden uitgevoerd door een erkend Makita servicecentrum, en dat uitsluitend met gebruik van Makita vervangingsonderdelen.

## **OPTIONELE ACCESSOIRES**

### LET OP:

- Deze accessoires of hulpstukken worden aanbevolen voor gebruik met het Makita gereedschap dat in deze gebruiksaanwijzing is beschreven. Bij gebruik van andere accessoires of hulpstukken bestaat er gevaar voor persoonlijke verwonding. Gebruik de accessoires of hulpstukken uitsluitend voor hun bestemde doel.

Raadpleeg het dichtstbijzijnde Makita servicecentrum voor verder advies of bijzonderheden omtrent deze accessoires.

- SDS-Max carbidepunt-bits
- SDS-Max puntbeitel
- SDS-Max koubeitel
- SDS-Max bikbeitel
- SDS-Max tegelbeitel
- SDS-Max kleispade
- Hamersmeervet
- Smeervet
- D-handgreep
- Zijhandgreep
- Diepteaanslag
- Blaasbalgje
- Veiligheidsbril
- Draagtas
- Stofvanger

### **OPMERKING:**

- Sommige onderdelen in deze lijst kunnen bij het gereedschap zijn meegeleverd als standaard-accessoires. Deze kunnen van land tot land verschillen.

**Geluidsniveau**

De typisch, A-gewogen geluidsniveaus vastgesteld volgens EN60745:

Geluidsdrukniveau ( $L_{pA}$ ): 92 dB (A)  
 Geluidsvermogeniveau ( $L_{WA}$ ): 103 dB (A)  
 Onnauwkeurigheid (K): 3 dB (A)

**Draag oorbeschermers**

ENG900-1

**Trilling**

De totaalwaarde van de trillingen (triaxiale vectorsom) vastgesteld volgens EN60745:

**Model HR4003C**

Toepassing: beitelfunctie met D-handgreep  
 Trillingsemisssie ( $a_{h,CHeq}$ ): 9,0 m/s<sup>2</sup>  
 Onnauwkeurigheid (K): 1,5 m/s<sup>2</sup>

Toepassing: beitelfunctie met zijhandvat  
 Trillingsemisssie ( $a_{h,CHeq}$ ): 9,0 m/s<sup>2</sup>  
 Onnauwkeurigheid (K): 1,5 m/s<sup>2</sup>

Toepassing: slagboren in beton  
 Trillingsemisssie ( $a_{h,HD}$ ): 10,0 m/s<sup>2</sup>  
 Onnauwkeurigheid (K): 1,5 m/s<sup>2</sup>

**Model HR4013C**

Toepassing: beitelfunctie met D-handgreep  
 Trillingsemisssie ( $a_{h,CHeq}$ ): 4,5 m/s<sup>2</sup>  
 Onnauwkeurigheid (K): 1,5 m/s<sup>2</sup>

Toepassing: beitelfunctie met zijhandvat  
 Trillingsemisssie ( $a_{h,CHeq}$ ): 4,5 m/s<sup>2</sup>  
 Onnauwkeurigheid (K): 1,5 m/s<sup>2</sup>

Toepassing: slagboren in beton  
 Trillingsemisssie ( $a_{h,HD}$ ): 5,0 m/s<sup>2</sup>  
 Onnauwkeurigheid (K): 1,5 m/s<sup>2</sup>

ENG901-1

- De opgegeven trillingsemisssiewaarde is gemeten volgens de standaardtestmethode en kan worden gebruikt om dit gereedschap te vergelijken met andere gereedschappen.
- De opgegeven trillingsemisssiewaarde kan ook worden gebruikt voor een beoordeling vooraf van de blootstelling.

**⚠ WAARSCHUWING:**

- De trillingsemisssie tijdens het gebruik van het elektrisch gereedschap in de praktijk kan verschillen van de opgegeven trillingsemisssiewaarde afhankelijk van de manier waarop het gereedschap wordt gebruikt.
- Zorg ervoor dat veiligheidsmaatregelen worden getroffen ter bescherming van de operator die zijn gebaseerd op een schatting van de blootstelling onder praktijkomstandigheden (rekening houdend met alle fasen van de bedrijfscyclus, zoals de tijdsduur gedurende welke het gereedschap is uitgeschakeld en stationair draait, naast de ingeschakelde tijdsduur).

**Alleen voor Europese landen****EU-Verklaring van Conformiteit**

**Wij, Makita Corporation, als de verantwoordelijke fabrikant, verklaren dat de volgende Makita-machine(s):**

Aanduiding van de machine:

Boorhamer

Modelnr./ Type: HR4003C, HR4013C

in serie zijn geproduceerd en

**Voldoen aan de volgende Europese richtlijnen:**  
 2006/42/EU

En zijn gefabriceerd in overeenstemming met de volgende normen of genormaliseerde documenten:  
 EN60745

De technische documentatie wordt bewaard door:

Makita International Europe Ltd.

Technische afdeling,

Michigan Drive, Tongwell,

Milton Keynes, Bucks MK15 8JD, Engeland

6.2.2013



Tomoyasu Kato

Directeur

Makita Corporation

3-11-8, Sumiyoshi-cho,

Anjo, Aichi, 446-8502, JAPAN

**Explicación de los dibujos**

1	Gatillo interruptor	9	Tuerca de presión	19	Cubierta protectora
2	Botón interruptor	10	Empuñadura lateral	20	Conector
3	Dial de ajuste	11	Espiga del implemento	21	Tornillo
4	Palanca de cambio	12	Grasa para implemento	22	Cubierta de la tapa del cárter
5	Puntero	13	Implemento	23	Placa de control
6	Lámpara indicadora de herramienta encendida (verde)	14	Cubierta del mandril	24	Tapa del cárter
7	Lámpara indicadora de servicio (roja)	15	Tope de profundidad	25	Grasa para martillo
8	Mango lateral	16	Botón de bloqueo		
		17	Soplador		
		18	Tornillos		

**ESPECIFICACIONES**

Modelo		HR4003C	HR4013C
Capacidades	Broca de punta de carburo	40 mm	
	Broca de corona	105 mm	
Velocidad en vacío (min <sup>-1</sup> )		250 – 500	
Percusiones por minuto		1.450 – 2.900	
Longitud total		479 mm	
Peso neto		6,2 kg	6,8 kg
Clase de seguridad		□/II	

GEB007-7

- Debido a nuestro continuado programa de investigación y desarrollo, las especificaciones indicadas aquí están sujetas a cambio sin previo aviso.
- Las especificaciones pueden ser diferentes de un país a otro.
- Peso de acuerdo con el procedimiento EPTA 01/2003

ENE044-1

**Uso previsto**

La herramienta ha sido prevista para perforar con percusión en ladrillo, cemento y piedra así como para trabajo de cincelado.

ENF002-2

**Alimentación**

La herramienta solamente debe ser conectada a una fuente de alimentación de la misma tensión que la indicada en la placa de características, y solamente puede ser utilizada con corriente alterna monofásica. La herramienta está doblemente aislada y, por consiguiente, también se puede utilizar con tomas de corriente sin conductor de puesta a tierra.

GEA010-1

**Advertencias de seguridad generales para herramientas eléctricas**

**⚠ ¡ADVERTENCIA!** Lea todas las advertencias de seguridad y todas las instrucciones. Si no sigue todas las advertencias e instrucciones podrá resultar en una descarga eléctrica, un incendio y/o heridas graves.

**Guarde todas las advertencias e instrucciones para futuras referencias.**

**ADVERTENCIAS DE SEGURIDAD PARA EL MARTILLO ROTATIVO**

1. **Póngase protectores de oídos.** La exposición al ruido puede producir pérdida auditiva.
2. **Utilice el mango(s) auxiliar, si ha sido suministrado con la herramienta.** Una pérdida del control puede ocasionar heridas personales.
3. **Cuando realice una operación en la que el accesorio de corte pueda entrar en contacto con cableado oculto o con el propio cable, sujete la herramienta eléctrica por las superficies de aislamiento aisladas.** El contacto del accesorio de corte con un cable con corriente hará que la corriente circule por las partes metálicas expuestas de la herramienta eléctrica y podrá soltar una descarga eléctrica al operario.
4. **Póngase casco rígido (casco de seguridad), gafas de seguridad y/o máscara facial.** Las gafas normales o de sol NO sirven para proteger los ojos. También es muy recomendable que utilice una máscara contra el polvo y guantes bien almohadillados.
5. **Asegúrese de que la broca esté bien sujeta en el mandril antes de iniciar la operación.**
6. **La herramienta ha sido diseñada para que produzca vibración en operación normal. Los tornillos pueden aflojarse fácilmente, pudiendo ocasionar una rotura o accidente. Compruebe el apriete de los tornillos cuidadosamente antes de iniciar la operación.**

7. En tiempo frío o cuando la herramienta no haya sido utilizada durante largo tiempo, deje calentar la herramienta durante un rato haciéndola funcionar sin carga. Esto agilizará la lubricación. Sin un calentamiento apropiado, la operación de percusión resultará difícil de realizar.
8. Asegúrese siempre de que tiene suelo firme. Asegúrese de que no haya nadie debajo cuando utilice la herramienta en lugares altos.
9. Sujete la herramienta firmemente con ambas manos.
10. Mantenga las manos alejadas de las partes en movimiento.
11. No deje la herramienta en marcha. Tenga en marcha la herramienta solamente cuando la tenga en la mano.
12. No apunte la herramienta hacia nadie en el lugar cuando la esté utilizando. La broca podría salir disparada y herir a alguien seriamente.
13. No toque la broca ni partes cercanas a ella inmediatamente después de la operación; podrán estar muy calientes y quemarle la piel.
14. Algunos materiales contienen sustancias químicas que podrán ser tóxicas. Tenga precaución para evitar la inhalación de polvo y el contacto con la piel. Siga los datos de seguridad del abastecedor del material.

## GUARDE ESTAS INSTRUCCIONES.

### ⚠ ADVERTENCIA:

NO deje que la comodidad o familiaridad con el producto (a base de utilizarlo repetidamente) sustituya la estricta observancia de las normas de seguridad para el producto en cuestión. El MAL USO o el no seguir las normas de seguridad establecidas en este manual de instrucciones podrá ocasionar graves heridas personales.

## DESCRIPCIÓN DEL FUNCIONAMIENTO

### ⚠ PRECAUCIÓN:

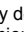

- Asegúrese siempre de que la herramienta esté apagada y desenchufada antes de ajustar o comprobar cualquier función de la herramienta.

### Accionamiento del interruptor (Fig. 1)


#### ⚠ PRECAUCIÓN:

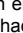
- Antes de enchufar la herramienta, compruebe siempre para cerciorarse de que el gatillo interruptor se acciona debidamente y que vuelve a la posición "OFF" cuando lo suelta.

#### Gatillo interruptor

Este interruptor funciona cuando la herramienta está puesta en los modos del símbolo  y del símbolo . Para poner en marcha la herramienta, simplemente apriete el gatillo interruptor. Suelte el gatillo interruptor para parar.

#### Botón interruptor (Fig. 2)

Este interruptor funciona cuando la herramienta está puesta en el modo del símbolo .

Cuando la herramienta está en el modo del símbolo , el botón interruptor sobresale hacia afuera y se ilumina en rojo.

Para poner en marcha la herramienta, presione el botón interruptor. La luz del interruptor se vuelve verde.

Para detener la herramienta, presione el botón interruptor otra vez.

## Cambio de velocidad (Fig. 3)

Las revoluciones y percusiones por minuto pueden ajustarse simplemente girando el dial de ajuste. El dial está marcado con 1 (mínima velocidad) a 5 (máxima velocidad).

Consulte la tabla de abajo para ver la relación entre los ajustes de número del dial de ajuste y las revoluciones/ percusiones por minuto.

Número en el dial de ajuste	Revoluciones por minuto	Percusiones por minuto
5	500	2.900
4	470	2.700
3	380	2.150
2	290	1.650
1	250	1.450

014134

## Para el modelo HR4013C solamente

### NOTA:

- Las percusiones por minuto sin carga son menos que las producidas con carga para reducir la vibración cuando no hay carga, pero esto no es una indicación de problema. Una vez que se inicia la operación con un implemento contra cemento, las percusiones por minuto aumentan y llegan hasta los números mostrados en la tabla. Cuando la temperatura sea baja y la grasa tenga menos fluidez, la herramienta podrá no tener esta función aun con el motor girando.

### ⚠ PRECAUCIÓN:

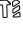
- Si la herramienta es utilizada continuamente a velocidades bajas durante largo tiempo, el motor podrá sobrecargarse resultando en un mal funcionamiento de la herramienta.
- El dial de ajuste de la velocidad puede girarse hasta 5 y de vuelta hasta 1 solamente. No lo fuerce más allá de 5 o 1, o la función de ajuste de velocidad podrá dejar de funcionar.

## Selección del modo de accionamiento

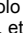
### ⚠ PRECAUCIÓN:

- No gire la palanca de cambio cuando la herramienta esté en marcha. La herramienta se dañará.
- Para evitar un desgaste rápido del mecanismo de cambio de modo, asegúrese de que la palanca de cambio esté siempre puesta exactamente en una de las posiciones de modo de accionamiento.


## Modo perforación con percusión (Fig. 4)

Para taladrar en cemento, albañilería, etc., gire la palanca de cambio hasta el símbolo . Utilice una broca de punta de carburo de tungsteno.

## Modo percusión (modo gatillo interruptor) (Fig. 5)

Para operaciones de desbastar, desincrustar o demoler, gire la palanca de cambio hasta el símbolo . Utilice un barreno, cortafíos, cincel desincrustador, etc.

## Modo percusión (modo botón interruptor)


Para operaciones de desbastar, desincrustar o demoler continuas, gire la palanca de cambio hasta el símbolo  (Fig. 6)

El botón interruptor sobresale hacia afuera y se ilumina en rojo.

Utilice un barreno, cortafíos, cincel desincrustador, etc. (Fig. 7)



## NOTA:

- Cuando utilice la herramienta en el modo del símbolo , el gatillo interruptor dejará de funcionar y solamente funcionará el botón interruptor.

## Limitador del par de torsión

El limitador del par de torsión actúa cuando el par de torsión alcanza un cierto nivel. El motor se desembraga del eje de salida. Cuando ocurre esto, el implemento deja de girar.

### PRECAUCIÓN:

- Apague la herramienta inmediatamente en cuanto actúe el limitador del par de torsión. Esto ayuda a evitar un desgaste prematuro de la herramienta.

## Lámpara indicadora (Fig. 8)

La lámpara indicadora de herramienta encendida verde se ilumina cuando la herramienta está enchufada. Si la lámpara indicadora no se ilumina, el cable de alimentación o el controlador podrá estar defectuoso.

Cuando la lámpara indicadora se ilumina pero la herramienta no se ponga en marcha aun poniéndola en encendido, las escobillas de carbón podrán estar gastadas, o el controlador, el motor o el interruptor ON/OFF podrá estar defectuoso.

Si ocurren los síntomas de arriba, deje de utilizar la herramienta inmediatamente y pregunte al centro de servicio local.

La lámpara indicadora de servicio roja se ilumina cuando las escobillas de carbón están casi gastadas para indicar que la herramienta necesita servicio. Después de algún periodo de utilización, el motor se apaga automáticamente.

## MONTAJE

### PRECAUCIÓN:

- Asegúrese siempre de que la herramienta está apagada y desenchufada antes de realizar cualquier trabajo en ella.

## Mango lateral (Fig. 9)

### PRECAUCIÓN:

- Utilice el mango lateral solamente para desbastar, desincrustar o demoler. No lo utilice para perforar en cemento, albañilería, etc. La herramienta no puede sujetarse debidamente con el mango lateral cuando se perfora.

El mango lateral se puede girar 360° en vertical y sujetarse en cualquier posición deseada. También se sujeta en ocho posiciones diferentes hacia atrás y adelante en horizontal. Simplemente afloje la tuerca de presión para girar el mango lateral a la posición deseada. Después apriete la tuerca de presión firmemente. (Fig. 10)

## Empuñadura lateral (Fig. 11)

### PRECAUCIÓN:

- Utilice siempre la empuñadura lateral para garantizar una operación segura cuando perforo en cemento, albañilería, etc.

La empuñadura lateral puede ser girada alrededor en ambas direcciones, permitiendo un manejo fácil de la herramienta en cualquier posición. Afloje la empuñadura lateral girándola hacia la izquierda, gírela a la posición deseada y después apriétela girándola hacia la derecha.

## Instalación o desmontaje del implemento

Limpie la espiga del implemento y aplique grasa para implemento antes de instalar el implemento. (Fig. 12)

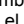
Inserte el implemento en la herramienta. Gire el implemento y presiónelo hacia dentro hasta que quede encajado.

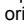
Si el implemento no puede ser empujado hacia dentro, extráigalo. Tire de la cubierta del mandril hacia abajo unas cuantas veces. Después vuelva a insertar el implemento. Gire el implemento y presiónelo hacia dentro hasta que quede encajado.

Después de la instalación, asegúrese siempre de que el implemento está bien sujeto en su sitio intentando sacarlo. (Fig. 13)

Para extraer el implemento, tire de la cubierta del mandril hacia abajo a tope y extraiga el implemento. (Fig. 14)

## Ángulo del implemento (para desbastar, desincrustar o demoler)

El implemento puede sujetarse en 24 ángulos diferentes. Para cambiar el ángulo del implemento, gire la palanca de cambio de forma que el puntero quede orientado hacia el símbolo . Gire el implemento al ángulo deseado. (Fig. 15)

Gire la palanca de cambio de forma que el puntero quede orientado hacia el símbolo . Después asegúrese de que el implemento está bien sujeto en su sitio girándolo ligeramente. (Fig. 16)

## Tope de profundidad

El tope de profundidad sirve para perforar agujeros a una profundidad uniforme.

Mantenga presionado el botón de bloqueo, e inserte el tope de profundidad en el agujero hexagonal. (Fig. 17)

Asegúrese de que el lado dentado del tope de profundidad está orientado hacia la marca.

Ajuste el tope de profundidad moviéndolo hacia atrás y hacia delante mientras presiona el botón de bloqueo. Después de hacer el ajuste, suelte el botón de bloqueo para bloquear el tope de profundidad. (Fig. 18)

## NOTA:


- El tope de profundidad no podrá ser utilizado en la posición donde el mismo golpee contra la carcasa de engranajes/carcasa del motor.

## OPERACIÓN

### PRECAUCIÓN:

- Asegúrese de que el material de trabajo está bien sujeto y no está inestable. Los objetos que salen despedidos pueden ocasionar heridas.
- No tire de la herramienta hacia afuera a la fuerza aunque el implemento se atasque. Una pérdida del control puede ocasionar heridas.

## Operación de perforación con percusión (Fig. 19)

Ponga la palanca de cambio en el símbolo . Coloque el implemento en el lugar deseado para hacer el agujero y a continuación apriete el gatillo interruptor.

No fuerce la herramienta. Los mejores resultados se obtienen con una ligera presión. Mantenga la herramienta en posición y evite que se deslice y salga del agujero.

No aplique más presión cuando el agujero se atasque con fragmentos o partículas. En su lugar, haga funcionar la herramienta sin ejercer presión, y después saque parcialmente el implemento del agujero. Repitiendo esto varias veces, se limpiará el agujero y podrá continuar con la operación de perforación.



#### **⚠ PRECAUCIÓN:**

- En el momento de comenzar a penetrar, cuando se atasca el agujero con virutas y partículas, o cuando se topa contra varillas de refuerzo de hormigón armado, se ejerce una tremenda y repentina fuerza de contorsión sobre la herramienta/implemento. Utilice siempre la empuñadura lateral (mango auxiliar) y sujete la herramienta firmemente por la empuñadura lateral y la empuñadura del interruptor durante las operaciones, y mantenga un buen equilibrio y los pies sobre suelo firme. En caso contrario podrá perder el control de la herramienta y posiblemente sufrir graves heridas.

#### **Soplador (accesorio opcional) (Fig. 20)**

Después de perforar el agujero, utilice el soplador para extraer el polvo del agujero.

#### **Desbastar/desincrustar/demoler (Fig. 21)**

Ponga al palanca de cambio en el símbolo  o .

Sujete la herramienta firmemente con ambas manos. Encienda la herramienta y aplique una ligera presión sobre ella de forma que no rebote descontrolada. Presionando muy fuerte en la herramienta no aumentará la eficacia.

### **MANTENIMIENTO**

#### **⚠ PRECAUCIÓN:**

- Asegúrese siempre de que la herramienta esté apagada y desenchufada antes de intentar realizar una inspección o mantenimiento.
- No utilice nunca gasolina, bencina, disolvente, alcohol o similares. Podría producir descoloración, deformación o grietas.

#### **Lubricación**

#### **⚠ PRECAUCIÓN:**

- Este servicio deberá ser realizado en Centros de servicio autorizados por Makita solamente.
- No realice la lubricación justo después de la operación, espere hasta que la herramienta se haya enfriando. De lo contrario podrá resultar en quemaduras de piel.

Esta herramienta no necesita lubricación horaria ni diaria porque tiene un sistema de lubricación de grasa empaquetada. Sin embargo, es necesario reemplazar la grasa y las escobillas de carbón periódicamente para alargar la vida útil de la herramienta.

(Para el modelo HR4003C) Afloje los seis tornillos y quite el mango. (Fig. 22)

(Para el modelo HR4013C) Afloje los ocho tornillos. Y retire la cubierta protectora como se muestra en la figura. Y después retire el mango. (Fig. 23 y 24)

Retire el conector tirando de él. (Fig. 25)

Afloje los tornillos y retire la palanca de cambio.

Retire la cubierta de la tapa del cárter. (Fig. 26)

Retire la placa de control. (Fig. 27)

Afloje los seis tornillos y retire la tapa del cárter. Apoye la herramienta en la mesa con el extremo del implemento orientado hacia arriba. Esto permitirá que la grasa vieja se recoja dentro del alojamiento del cárter. (Fig. 28)

Limpie la grasa vieja del interior y reemplace con grasa nueva (30 g). Utilice solamente grasa para martillo genuina de Makita (accesorio opcional). Si llena con más grasa de la cantidad especificada (aprox. 30 g) podrá ocasionar una acción de percusión defectuosa o una avería en la herramienta. Llene solamente con la cantidad de grasa especificada.

Vuelva a instalar todas las piezas desmontadas.

(Fig. 29)

Coloque el conector y vuelva a instalar el mango.

(Fig. 30)

#### **NOTA:**

- Tenga en cuenta que se utilizan tornillos de diferentes longitudes.

#### **AVISO**

- No apriete la tapa del cárter excesivamente. Está hecha de resina y está expuesta a roturas.
- Tenga cuidado de no dañar el conector ni los cables conductores especialmente cuando quite la grasa vieja o instale el mango.

Para mantener la SEGURIDAD y la FIABILIDAD del producto, las reparaciones y cualquier otro mantenimiento o ajuste deberán ser realizados en Centros de servicio autorizados de Makita, utilizando siempre piezas de repuesto de Makita.

### **ACCESORIOS OPCIONALES**

#### **⚠ PRECAUCIÓN:**

- Estos accesorios o aditamentos están recomendados para su uso con la herramienta Makita especificada en este manual. El uso de cualquier otro accesorio o aditamento puede suponer un riesgo de heridas a personas. Utilice el accesorio o aditamento exclusivamente para su uso declarado.

Si necesita información más detallada sobre estos accesorios, consulte con el Centro de servicio Makita local.

- Brocas de punta de carburo SDS-Max
- Barreno SDS-Max
- Cortafíos SDS-Max
- Desincrustador SDS-Max
- Cíncel para azulejos SDS-Max
- Pala para arcilla SDS-Max
- Grasa para martillo
- Grasa para implemento
- Mango lateral
- Empuñadura lateral
- Tope de profundidad
- Soplador
- Gafas de seguridad
- Maletín de transporte
- Accesorio extractor de polvo

#### **NOTA:**

- Algunos elementos de la lista podrán estar incluidos en el paquete de la herramienta como accesorios estándar. Pueden variar de un país a otro.

**Ruido**

El nivel de ruido A-ponderado típico determinado de acuerdo con la norma EN60745:

Nivel de presión sonora ( $L_{pA}$ ): 92 dB (A)  
 Nivel de potencia sonora ( $L_{WA}$ ): 103 dB (A)  
 Incerteza (K): 3 dB (A)

**Póngase protectores en los oídos**

ENG900-1

**Vibración**

El valor total de la vibración (suma de vectores triaxiales) determinado de acuerdo con la norma EN60745:

**Modelo HR4003C**

Modo de trabajo: función de cincelado con el mango lateral

Emisión de vibración ( $a_{h,CHeq}$ ): 9,0 m/s<sup>2</sup>  
 Incerteza (K): 1,5 m/s<sup>2</sup>

Modo de trabajo: función de cincelado con empuñadura lateral

Emisión de vibración ( $a_{h,CHeq}$ ): 9,0 m/s<sup>2</sup>  
 Incerteza (K): 1,5 m/s<sup>2</sup>

Modo de trabajo: perforación con percusión en cemento

Emisión de vibración ( $a_{h,HD}$ ): 10,0 m/s<sup>2</sup>  
 Incerteza (K): 1,5 m/s<sup>2</sup>

**Modelo HR4013C**

Modo de trabajo: función de cincelado con el mango lateral

Emisión de vibración ( $a_{h,CHeq}$ ): 4,5 m/s<sup>2</sup>  
 Incerteza (K): 1,5 m/s<sup>2</sup>

Modo de trabajo: función de cincelado con empuñadura lateral

Emisión de vibración ( $a_{h,CHeq}$ ): 4,5 m/s<sup>2</sup>  
 Incerteza (K): 1,5 m/s<sup>2</sup>

Modo de trabajo: perforación con percusión en cemento

Emisión de vibración ( $a_{h,HD}$ ): 5,0 m/s<sup>2</sup>  
 Incerteza (K): 1,5 m/s<sup>2</sup>

ENG901-1

- El valor de emisión de vibración declarado ha sido medido de acuerdo con el método de prueba estándar y se puede utilizar para comparar una herramienta con otra.
- El valor de emisión de vibración declarado también se puede utilizar en una valoración preliminar de exposición.

**⚠ ADVERTENCIA:**

- La emisión de vibración durante la utilización real de la herramienta eléctrica puede variar del valor de emisión declarado dependiendo de las formas en las que la herramienta sea utilizada.
- Asegúrese de identificar medidas de seguridad para proteger al operario que estén basadas en una estimación de la exposición en las condiciones reales de utilización (teniendo en cuenta todas las partes del ciclo operativo tal como las veces cuando la herramienta está apagada y cuando está funcionando en vacío además del tiempo de gatillo).

**Para países europeos solamente****Declaración de conformidad CE****Makita Corporation como fabricante responsable declara que la(s) siguiente(s) máquina(s) de Makita:**

Designación de máquina:  
 Martillo Rotativo  
 Modelo N°/Tipo: HR4003C, HR4013C  
 son producidas en serie y

**Cumplen con las directivas europeas siguientes:**  
2006/42/CE

Y que están fabricadas de acuerdo con las normas o documentos normalizados siguientes:

EN60745

Los documentos técnicos los guarda:

Makita International Europe Ltd.  
 Departamento técnico,  
 Michigan Drive, Tongwell,  
 Milton Keynes, Bucks MK15 8JD, Inglaterra

6.2.2013



Tomoyasu Kato  
 Director

Makita Corporation  
 3-11-8, Sumiyoshi-cho,  
 Anjo, Aichi, 446-8502, JAPAN

**Explicação geral**

1 Gatilho do interruptor	9 Porca de fixação	19 Tampa da protecção
2 Interruptor de botão	10 Punho lateral	20 Conector
3 Mostrador de regulação	11 Encaixe da broca	21 Parafuso
4 Alavanca de mudança	12 Lubrificante da broca	22 Cobertura da tampa da manivela
5 Ponteiro	13 Broca	23 Placa de controlo
6 Indicador luminoso de alimentação LIGADA (verde)	14 Tampa do mandril	24 Tampa da manivela
7 Indicador luminoso de serviço (vermelho)	15 Guia de profundidade	25 Lubrificante do martelo
8 Pega lateral	16 Botão de bloqueio	
	17 Soprador	
	18 Parafusos	

**ESPECIFICAÇÕES**

Modelo		HR4003C	HR4013C
Capacidades	Broca de ponta de carboneto	40 mm	
	Broca de coroa	105 mm	
Velocidade em vazio (min <sup>-1</sup> )		250 – 500	
Impactos por minuto		1.450 – 2.900	
Comprimento total		479 mm	
Peso líquido		6,2 kg	6,8 kg
Classe de segurança		□/II	

GEB007-7

- Devido a um programa contínuo de pesquisa e desenvolvimento, estas especificações podem ser alteradas sem aviso prévio.
- As especificações podem variar de país para país.
- Peso de acordo com o Procedimento 01/2003 da EPTA (European Power Tool Association)

ENE044-1

**Utilização pretendida**

A ferramenta foi concebida para perfuração com martelo em tijolo, cimento e pedra e também para trabalho de cinzelamento.

ENF002-2

**Alimentação**

A ferramenta só deve ser ligada a uma fonte de alimentação com a mesma voltagem da indicada na placa de características, e só funciona com alimentação CA monofásica. Tem um sistema de isolamento duplo e pode, por isso, utilizar também tomadas sem ligação à terra.

GEA010-1

**Avisos gerais de segurança para ferramentas eléctricas**

**⚠ AVISO! Leia todos os avisos de segurança e todas as instruções.** O não cumprimento de todos os avisos e instruções pode originar choque eléctrico, incêndio e/ou ferimentos graves.

**Guarde todos os avisos e instruções para futuras referências.**

**AVISOS DE SEGURANÇA PARA O MARTELO ROTATIVO**

1. **Use protectores de ouvido.** A exposição a ruídos pode causar perda de audição.
2. **Utilize a(s) pega(s) auxiliar(es), se fornecida(s) com a ferramenta.** A perda de controlo pode causar ferimentos pessoais.
3. **Agarre na ferramenta eléctrica pelas partes isoladas ao executar uma operação onde o acessório de corte possa tocar em fios ocultos ou no seu próprio fio.** O contacto do acessório de corte com um fio "ligado" carregará as partes metálicas da ferramenta e causará choque eléctrico no operador.
4. **Utilize um capacete de segurança, óculos de segurança e/ou uma máscara.** Óculos comuns ou de sol **NÃO** são óculos de segurança. Também se recomenda vivamente a utilização de máscara para o pó e luvas bem acolchoadas.
5. **Certifique-se de que a broca está bem presa antes de começar a operação.**
6. **Em condições normais de operação, a ferramenta foi concebida para produzir vibração.** Os parafusos podem soltar-se facilmente, causando uma avaria ou acidente. Verifique cuidadosamente o aperto dos parafusos antes da operação.
7. **Em tempo frio ou quando a ferramenta não foi utilizada durante um longo período de tempo, deixe a ferramenta aquecer durante vários minutos fazendo-a funcionar em vazio.** Isto libertará a lubrificação. Sem aquecimento apropriado, a operação de martelo será difícil.

8. **Mantenha-se sempre numa posição equilibrada. Certifique-se de que ninguém está por baixo quando trabalhar em locais altos.**
9. **Agarre na ferramenta firmemente com as duas mãos.**
10. **Mantenha as mãos afastadas das partes rotativas.**
11. **Não deixe a ferramenta a funcionar. Funcione com a ferramenta só quando estiver a agarrá-la.**
12. **Não aponte a ferramenta para ninguém à sua volta quando a estiver a trabalhar. A broca pode soltar-se e ferir seriamente alguém.**
13. **Não toque na broca nem nas partes perto da broca imediatamente após a operação; podem estar extremamente quentes e provocar queimaduras.**
14. **Alguns materiais contêm químicos que podem ser tóxicos. Tenha cuidado para evitar inalação de pó e contacto com a pele. Siga os dados de segurança do fornecedor do material.**

Consulte a tabela abaixo para obter a relação entre as definições de número no mostrador de regulação e as rotações/impactos por minuto.

Número no mostrador de regulação	Rotações por minuto	Impactos por minuto
5	500	2.900
4	470	2.700
3	380	2.150
2	290	1.650
1	250	1.450

014134

#### Apenas para o modelo HR4013C

#### NOTA:

- Os impactos em vazio por minuto diminuem em relação àqueles em carga, a fim de reduzir a vibração em vazio, mas isso não demonstra problemas. Assim que a operação iniciar com uma broca contra cimento, os impactos por minuto aumentam e atingem valores tais como indicados na tabela. Quando a temperatura estiver baixa e houver menos fluidez no lubrificante, a ferramenta pode não ter esta função, mesmo com o motor em rotação.

#### ⚠ PRECAUÇÃO:

- Se a ferramenta for operada continuamente a baixas velocidades durante um longo período de tempo, o motor pode ficar sobrecarregado, resultando em falha da ferramenta.
- O mostrador de regulação da velocidade pode apenas ser rodado até 5 e de volta a 1. Não o force para além de 5 ou 1, ou a função de regulação da velocidade pode deixar de funcionar.

### GUARDE ESTAS INSTRUÇÕES.

#### ⚠ AVISO:

**NÃO permita que conforto ou familiaridade com o produto (adquirido com o uso repetido) substitua a aderência estrita às regras de segurança da ferramenta. MÁ INTERPRETAÇÃO ou não seguimento das regras de segurança estabelecidas neste manual de instruções pode causar danos pessoais sérios.**

### DESCRIÇÃO FUNCIONAL

#### ⚠ PRECAUÇÃO:



- Certifique-se sempre de que a ferramenta está desligada e a ficha retirada da tomada antes de regular ou verificar o funcionamento da ferramenta.

#### Ação do interruptor (Fig. 1)

#### ⚠ PRECAUÇÃO:


- Antes de ligar a ferramenta à corrente eléctrica, verifique sempre se o gatilho do interruptor funciona correctamente e regressa à posição "OFF" (desligada) quando o solta.

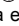
#### Gatilho do interruptor

Este interruptor funciona quando configurar a ferramenta no símbolo  e modos de símbolo .

Para ligar a ferramenta, carregue simplesmente no gatilho do interruptor. Liberte o gatilho do interruptor para parar.

#### Interruptor de botão (Fig. 2)

Este interruptor funciona quando configurar a ferramenta no modo de símbolo .

Quando a ferramenta estiver no modo de símbolo , o interruptor de botão sobressai e acende a vermelho.

Para ligar a ferramenta, pressione o interruptor de botão. A luz do interruptor acende a verde.

Para parar a ferramenta, pressione novamente o interruptor de botão.

#### Mudança de velocidade (Fig. 3)

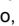
As rotações e impactos por minuto podem ser regulados apenas rodando o mostrador de regulação. O mostrador está marcado de 1 (velocidade mais baixa) a 5 (velocidade máxima).

#### Seleção do modo de acção


#### ⚠ PRECAUÇÃO:

- Não rode a alavanca de mudança quando a ferramenta estiver a funcionar. A ferramenta ficará danificada.
- Para evitar desgaste rápido do mecanismo de mudança de modo, certifique-se de que a alavanca de mudança está localizada correctamente numa das posições do modo de acção.

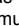
#### Modo de perfuração com martelo (Fig. 4)

Para a perfurar em cimento, maçonaria, etc., rode a alavanca de mudança para o símbolo . Use uma broca de carboneto de tungsténio.

#### Modo de martelagem (modo do gatilho do interruptor) (Fig. 5)


Para as operações de descasque, aparar ou demolir, rode a alavanca de mudança para o símbolo . Utilize um ponteiro, cinzel para ferreiro, cinzel para descasque, etc.

#### Modo de martelagem (modo do interruptor de botão) (Fig. 6)

Para as operações contínuas de aparar, descasque ou demolir, rode a alavanca de mudança para o símbolo .

O interruptor de botão sobressai e acende a vermelho. Utilize um ponteiro, cinzel para ferreiro, cinzel para descasque, etc. (Fig. 7)

## NOTA:

- Quando utiliza a ferramenta no modo de símbolo , o gatilho do interruptor não funciona, mas apenas funciona o interruptor de botão.

## Limitador do binário

O limitador do binário funciona quando é atingido um certo nível de binário. O motor desengata do eixo de saída. Quando isto acontece, a broca pára de rodar.

### ⚠ PRECAUÇÃO:

- Assim que o limitador de binário actua, desligue imediatamente a ferramenta. Isto ajuda a evitar o desgaste prematuro da ferramenta.

## Indicador luminoso (Fig. 8)

O indicador luminoso verde de alimentação LIGADA acende-se quando a ferramenta estiver ligada à tomada. Se o indicador luminoso não acender, o cabo de alimentação ou o controlador pode estar com defeito.

Quando o indicador luminoso se acende mas a ferramenta não inicia mesmo se a ferramenta estiver ligada, as escovas de carvão podem estar gastas ou o controlador, o motor ou o botão LIGAR/DESLIGAR podem estar com defeito.

Se ocorrerem os sintomas acima, pare de usar a ferramenta imediatamente e pergunte ao seu centro de serviço local.

O indicador luminoso vermelho de serviço acende-se quando as escovas de carvão estão praticamente gastas para indicar que a ferramenta precisa de manutenção. Após algum período de utilização, o motor desliga automaticamente.

## ASSEMBLAGEM

### ⚠ PRECAUÇÃO:

- Certifique-se sempre de que a ferramenta está desligada e a ficha retirada da tomada antes de executar qualquer trabalho na ferramenta.

## Pega lateral (Fig. 9)

### ⚠ PRECAUÇÃO:

- Só utilize a pega lateral quando apara, descasca ou demole. Não a utilize quando perfura em cimento, maçonaria, etc. Quando perfura não pode agarrar correctamente na ferramenta com a pega lateral.

A pega lateral pode ser rodada de 360° na vertical e presa em qualquer posição desejada. Também fica presa em oito posições diferentes para trás e para a frente na horizontal. Basta desapertar a porca de fixação para rodar a pega lateral para a posição desejada. Em seguida, aperte a porca de fixação firmemente. (Fig. 10)

## Punho lateral (Fig. 11)

### ⚠ PRECAUÇÃO:

- Use sempre o punho lateral para assegurar uma operação segura quando perfura em cimento, maçonaria, etc.

O punho lateral gira para qualquer lado, permitindo manuseamento fácil da ferramenta em qualquer posição. Solte o punho lateral rodando-o para a esquerda, gire-o para a posição desejada e em seguida aperte-o rodando-o para a direita.

## Instalar ou retirar a broca

Limpe o encaixe da broca e aplique lubrificante antes de instalar a broca. (Fig. 12)

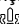
Coloque a broca na ferramenta. Rode a broca e empurre-a até que engate.

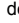
Se não conseguir empurrar a broca, retire-a. Empurre a cobertura do mandril para baixo algumas vezes. Em seguida, volte a colocar a broca. Rode a broca e empurre-a até que engate.

Depois de a instalar, certifique-se sempre de que a broca está seguramente presa no seu lugar tentando-a retirar. (Fig. 13)

Para retirar a broca, empurre a tampa do mandril completamente para baixo e retire a broca. (Fig. 14)

## Ângulo da broca (quando descasca, apara ou demole)

A broca pode ser presa em 24 ângulos diferentes. Para mudar o ângulo da broca, rode a alavanca de mudança de modo a que o ponteiro aponte para o símbolo . Rode a broca para o ângulo desejado. (Fig. 15)

Rode a alavanca de mudança de modo a que o ponteiro aponte para o símbolo . Em seguida certifique-se de que a broca está bem presa no seu lugar rodando-a ligeiramente. (Fig. 16)

## Guia de profundidade

A guia de profundidade é conveniente para perfurar orifícios com profundidade uniforme.

Pressione e segure o botão de bloqueio, e coloque a guia de profundidade no orifício sextavado. (Fig. 17)

Certifique-se de que o lado dentado da guia de profundidade está virado para a marcação.

Regule a guia na profundidade deslocando-a para trás e para a frente enquanto pressiona o botão de bloqueio. Após o ajuste, solte o botão de bloqueio para bloquear a guia de profundidade. (Fig. 18)

## NOTA:

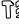
- A guia de profundidade não pode ser utilizada na posição onde bate contra a caixa da engrenagem/caixa do motor.

## OPERAÇÃO

### ⚠ PRECAUÇÃO:

- Certifique-se que o material de trabalho está preso e não instável. Objecto projectado pode causar ferimentos pessoais.
- Não puxe a ferramenta para fora com força mesmo se a broca ficar presa. A perda de controlo pode causar ferimentos.

## Operação de perfuração com martelo (Fig. 19)

Coloque a alavanca de mudança no símbolo . Coloque a broca na posição desejada para o orifício e carregue no gatilho do interruptor.

Não force a ferramenta. Pressão ligeira oferece melhores resultados. Mantenha a ferramenta em posição e evite que deslize para fora do orifício.

Não aplique mais pressão quando o orifício fica bloqueado com aparas ou partículas. Em vez disso, coloque a ferramenta em ponto morto, e depois retire a broca parcialmente do orifício. Repetindo isto várias vezes, o orifício ficará limpo e pode continuar a operação de perfuração.



### **⚠ PRECAUÇÃO:**

- Uma força de torção enorme e repentina é exercida na ferramenta/broca na altura em que faz o orifício, quando o orifício fica bloqueado com aparas ou partículas ou quando bate em varões reforçados no cimento. Utilize sempre o punho lateral (pega auxiliar) e segure firmemente a ferramenta pelo punho lateral e pega do interruptor durante a operação, e mantenha um bom equilíbrio e base de apoio segura. Se não o fizer pode resultar na perda de controlo da ferramenta e potencialmente ferimento grave.

### **Soprador (acessório opcional) (Fig. 20)**

Depois de perfurar o orifício, utilize o soprador para retirar o pó do orifício.

### **Aparar/Descascar/Demolir (Fig. 21)**

Regule a alavanca de mudança no símbolo  ou .

Segure bem a ferramenta com as duas mãos. Ligue a ferramenta e aplique ligeira pressão na ferramenta de modo a que não se movimente, descontrolada. Pressionar muito na ferramenta não aumentará a eficiência.

## **MANUTENÇÃO**

### **⚠ PRECAUÇÃO:**

- Certifique-se sempre de que a ferramenta está desligada e a ficha retirada da tomada antes de executar qualquer inspeção ou manutenção.
- Nunca utilize gasolina, benzina, diluente, álcool ou produtos semelhantes. Pode ocorrer a descoloração, deformação ou rachaduras.

### **Lubrificação**

#### **⚠ PRECAUÇÃO:**

- Este serviço deve ser executado apenas por Centros de Serviço Autorizados da Makita.
- Não execute a lubrificação logo após a operação, aguarde até que a ferramenta arrefeça. Caso contrário, pode queimar a pele.

Esta ferramenta não necessita de lubrificação horária ou diária pois tem um sistema de lubrificação incorporado. No entanto, é necessário substituir periodicamente o lubrificante e as escovas de carvão ao longo da vida da ferramenta.

(Para o modelo HR4003C) Desaperte os seis parafusos e retire a pega. **(Fig. 22)**

(Para o modelo HR4013C) Desaperte os oito parafusos. E retire a cobertura da protecção como mostrado na figura. E, em seguida, retire a pega. **(Fig. 23 e 24)**

Retire o conector puxando-o. **(Fig. 25)**

Desaperte os parafusos e retire a alavanca de mudança.

Retire a cobertura da tampa da manivela. **(Fig. 26)**

Retire a placa de controlo. **(Fig. 27)**

Desaperte os seis parafusos e retire a tampa da manivela. Pause a ferramenta em cima da mesa com a ponta da broca virada para cima. Isto irá permitir que o lubrificante usado seja recuperado para o interior da caixa da manivela. **(Fig. 28)**

Limpe a lubrificante usado no interior e substitua por lubrificante novo (30 g). Utilize apenas lubrificante do martelo genuíno da Makita (acessório opcional). Encher mais do que a quantidade especificada de lubrificante (aprox. 30 g) pode causar acção de martelagem deficiente ou falha da ferramenta. Encha apenas com a quantidade especificada de lubrificante.

Reinstale todas as peças removidas. **(Fig. 29)**

Prenda o conector e reinstale a pega. **(Fig. 30)**

### **NOTA:**

- Note que se usa diferentes comprimentos de parafusos.

### **OBSERVAÇÃO**

- Não aperte excessivamente a tampa da manivela. Ela é feita de resina e está sujeita a ruptura.
- Tenha cuidado para não danificar o conector ou os fios condutores, especialmente quando limpa a lubrificante usado ou instala a pega.

Para manter a SEGURANÇA e FIABILIDADE do produto, as reparações e outras acções de manutenção ou ajustes devem ser executados pelos centros de assistência autorizados da Makita, utilizando sempre peças de substituição Makita.

## **ACESSÓRIOS OPCIONAIS**

### **⚠ PRECAUÇÃO:**

- Estes acessórios ou peças são recomendados para utilização com a ferramenta Makita especificada neste manual. A utilização de outros acessórios ou peças pode ser perigosa para as pessoas. Utilize apenas acessórios ou peças para os fins indicados.

Se precisar de ajuda para obter mais informações relativas a estes acessórios, entre em contacto com o centro de assistência Makita local.

- Brocas de carboneto SDS-Max
- Ponteira SDS-Max
- Cinzel para ferreiro SDS-Max
- Cinzel para descasque SDS-Max
- Cinzel para ladrilhos SDS-Max
- Espada para argila SDS-Max
- Lubrificante do martelo
- Lubrificante da broca
- Pega lateral
- Punho lateral
- Guia de profundidade
- Soprador
- Óculos de segurança
- Mala para transporte
- Acessório de extração de poeira

### **NOTA:**

- Alguns itens da lista podem estar incluídos na embalagem da ferramenta como acessórios padrão. Eles podem variar de país para país.

ENG905-1

### **Ruído**

O nível de ruído ponderado A típico determinado de acordo com EN60745:

Nível de pressão de som ( $L_{pA}$ ): 92 dB (A)  
Nível de potência sonora ( $L_{WA}$ ): 103 dB (A)  
Variabilidade (K): 3 dB (A)

**Utilize protectores para os ouvidos**

## Vibração

O valor total da vibração (soma vectorial tri-axial) determinado de acordo com EN60745:

### Modelo HR4003C

Modo de funcionamento: função de cinzelamento com pega lateral

Emissão de vibração ( $a_{h,CHeq}$ ): 9,0 m/s<sup>2</sup>

Variabilidade (K): 1,5 m/s<sup>2</sup>

Modo de funcionamento: função de cinzelamento com punho lateral

Emissão de vibração ( $a_{h,CHeq}$ ): 9,0 m/s<sup>2</sup>

Variabilidade (K): 1,5 m/s<sup>2</sup>

Modo de funcionamento: perfuração com martelo em cimento

Emissão de vibração ( $a_{h,HD}$ ): 10,0 m/s<sup>2</sup>

Variabilidade (K): 1,5 m/s<sup>2</sup>

### Modelo HR4013C

Modo de funcionamento: função de cinzelamento com pega lateral

Emissão de vibração ( $a_{h,CHeq}$ ): 4,5 m/s<sup>2</sup>

Variabilidade (K): 1,5 m/s<sup>2</sup>

Modo de funcionamento: função de cinzelamento com punho lateral

Emissão de vibração ( $a_{h,CHeq}$ ): 4,5 m/s<sup>2</sup>

Variabilidade (K): 1,5 m/s<sup>2</sup>

Modo de funcionamento: perfuração com martelo em cimento

Emissão de vibração ( $a_{h,HD}$ ): 5,0 m/s<sup>2</sup>

Variabilidade (K): 1,5 m/s<sup>2</sup>

ENG901-1

- O valor da emissão de vibração indicado foi medido de acordo com o método de teste padrão e pode ser utilizado para comparar duas ferramentas.
- O valor da emissão de vibração indicado pode também ser utilizado na avaliação preliminar da exposição.

## ⚠ AVISO:

- A emissão de vibração durante a utilização real da ferramenta eléctrica pode diferir do valor de emissão indicado, dependendo da forma como a ferramenta é utilizada.
- Certifique-se de que identifica as medidas de segurança para protecção do operador que sejam baseadas em uma estimativa de exposição em condições reais de utilização (considerando todas as partes do ciclo de operação, tal como quando a ferramenta está desligada e quando está a funcionar em marcha lenta além do tempo de accionamento).

## Só para países Europeus

### Declaração de conformidade CE

**Nós, a Makita Corporation, fabricante responsável, declaramos que a(s) seguinte(s) ferramenta(s) Makita:**

Designação da ferramenta:

Martelo Rotativo

Modelos n.º/Tipo: HR4003C, HR4013C

são de produção de série e

**Em conformidade com as seguintes directivas europeias:**

2006/42/CE

E estão fabricadas de acordo com as seguintes normas ou documentos normativos:

EN60745

A documentação técnica é mantida pela:

Makita International Europe Ltd.

Departamento técnico,

Michigan Drive, Tongwell,

Milton Keynes, Bucks MK15 8JD, Inglaterra

6.2.2013



Tomoyasu Kato

Director

Makita Corporation

3-11-8, Sumiyoshi-cho,

Anjo, Aichi, 446-8502, JAPAN



**Illustrationsoversigt**

1 Afbryder	10 Sidegreb	19 Beskyttelsesskærm
2 Afbryderknop	11 Borskraft	20 Kobling
3 Justeringsdrejeknap	12 Borfedt	21 Skruer
4 Funktionsvælger	13 Bit	22 Krumtaphættedæksel
5 Viser	14 Borepatrondæksel	23 Kontrolplade
6 Tændt-indikatorlampe (grøn)	15 Dybdeanslag	24 Krumtaphætte
7 Serviceindikatorlampe (rød)	16 Låseknop	25 Hammerfedt
8 Sidehåndtag	17 Udblæsningskugle	
9 Fastspændingsmøtrik	18 Skruer	

**SPECIFIKATIONER**

Model		HR4003C	HR4013C
Kapaciteter	Bor med karbidspids	40 mm	
	Kernebor	105 mm	
Omdrejninger ubelastet (min <sup>-1</sup> )		250 – 500	
Slag pr. minut		1 450 – 2 900	
Længde i alt		479 mm	
Nettovægt		6,2 kg	6,8 kg
Sikkerhedsklasse		□/II	

GEB007-7

- På grund af vores kontinuerlige forskningsprogrammer og udvikling, kan hosstående specifikationer blive ændret uden varsel.
- Specifikationer kan variere fra land til land.
- Vægt i henhold til EPTA-Procedure 01/2003

ENE044-1

**Tilsigtet anvendelse**

Denne maskine er beregnet til hammerboring i mursten, beton og sten såvel som til mejselarbejde.

ENF002-2

**Strømforsyning**

Maskinen må kun tilsluttes en strømforsyning med samme spænding som angivet på typeskiltet og kan kun anvendes på enfaset vekselstrømforsyning. De er dobbeltisolerede og kan derfor også tilsluttes kontakter uden jordledning.

GEA010-1

**Almindelige sikkerhedsregler for el-værktøj**

**⚠ ADVARSEL! Læs alle sikkerhedsadvarsler og alle sikkerhedsinstruktioner.** Hvis nedenstående advarsler og instruktioner ikke overholdes, kan resultatet blive elektrisk stød, brand og/eller alvorlig personskade.

**Gem alle advarsler og instruktioner til fremtidig reference.**

**SIKKERHEDSADVARSLER FOR BOREHAMMER**

1. **Brug altid høreværn.** Udsættelse for støj kan føre til høretab.
2. **Anvend hjælpelhåndtag, hvis det (de) følger med maskinen.** Tilskadekomst kan blive resultatet, hvis De mister herredømmet over maskinen.
3. **Hold altid maskinen i de isolerede håndtagsflader, når der udføres et arbejde, hvor det skæretilbehøret kan komme i berøring med skjulte ledninger eller dets egen ledning.** Skæretilbehøret, der kommer i berøring med en strømførende ledning, kan bevirke, at udsatte metaldele af maskinen bliver ledende, hvorved operatøren kan få stød.
4. **Bær hjelm (sikkerhedshjelm), sikkerhedsbriller og/eller ansigtsskærm.** Almindelige briller og solbriller er IKKE det samme som sikkerhedsbriller. Det anbefales ligeledes stærkt, at De anvender en støvmaske og tykke, vatterede gummihandsker.
5. **Sørg for, at boret er sat sikkert og korrekt i, før arbejdet påbegyndes.**
6. **Under normal anvendelse vibrerer værktøjet.** Skrueerne kan derfor nemt løsne sig og være årsag til maskinsammenbrud eller ulykker. Kontroller inden arbejdet, at skrueerne er fastspændte.
7. **Lad maskinen varme op i et stykke tid i koldt vejr eller hvis den ikke har været brugt i længere tid ved at køre den i tomgang.** Dette vil gøre olien smidig. Uden tilstrækkelig opvarmning er hammerboring svær at udføre.

8. Sørg for, at De altid har sikkert fodfæste. Hvis maskinen bruges på et højtbeliggende sted, skal De sikre dem, at der ikke befinder sig nogen personer nedenunder.
9. Hold godt fast i maskinen med begge hænder.
10. Rør aldrig ved roterende dele med hænderne.
11. Læg ikke maskinen fra Dem, mens den kører. Anvend kun maskinen, når den er håndholdt.
12. Ret aldrig maskinen mod personer, når den anvendes. Boret kan slynges ud og forvolde alvorlig personskade.
13. Rør ikke ved maskinen eller dele i nærheden af boret umiddelbart efter brug. Disse dele kan være ekstremt varme og medføre forbrændinger.
14. Visse materialer indeholder kemikalier, som kan være giftige. Vær påpasselig med ikke at indånde støv eller få disse materialer på huden. Følg sikkerhedsforskrifterne fra fabrikanten af materialet.

## GEM DENNE BRUGSANVISNING.

### ⚠ ADVARSEL:

LAD IKKE bekvemmelighed eller kendskab til produktet (opnået gennem gentagen brug) forhindre, at sikkerhedsforskrifterne for produktet nøje overholdes. MISBRUG eller forsømmelse af at følge de i denne brugsvejledning givne sikkerhedsforskrifter kan føre til, at De kommer alvorligt til skade.

## FUNKTIONSBESKRIVELSE

### ⚠ FORSIGTIG:



- Sørg altid for, at der er slukket for værktøjet og at den er taget ud af forbindelse, inden værktøjets funktion justeres eller kontrolleres.

### Afbryderanvendelse (Fig. 1)


#### ⚠ FORSIGTIG:

- Før maskinen sættes i strømforbindelse, bør De altid kontrollere, at afbryderen fungerer korrekt og returnerer til "OFF"-stillingen, når den slippes.

### Afbryderknap

Dette skifter funktioner, når maskinen er indstillet i  symbol og  symbolfunktioner. For at starte værktøjet, trykkes der blot på afbryderen. Slip afbryderen for at stoppe.

### Afbryderknap (Fig. 2)

Denne knap fungerer, når maskinen er indstillet til  symbolfunktion.

Når maskinen er i  symbolfunktion, stikker afbryderknappen frem og lyser rødt.

Maskinen startes ved at man trykker på afbryderknappen. Knaplyset bliver grønt.

Maskinen stoppes ved at man trykker på afbryderknappen igen.

### Hastighedsændring (Fig. 3)

Omdrejninger og antal slag i minuttet kan indstilles ved at man drejer på justeringsdrejeknappen. Drejeknappen er markeret med 1 (laveste hastighed) til 5 (fuld hastighed). Se oversigten herunder angående forholdet mellem talindstillingerne på justeringsdrejeknappen og omdrejninger/slag i minuttet.

Tal på justeringsdrejeknappen	Omdrejninger i minuttet	Slag pr. minut
5	500	2 900
4	470	2 700
3	380	2 150
2	290	1 650
1	250	1 450

014134

### Gælder kun model HR4013C

#### BEMÆRK:

- Antal slag uden belastning i minuttet bliver færre end antal slag med belastning for at reducere vibration under ikke-belastning, men dette er ikke tegn på problemer. Så snart arbejdet starter med et bor mod beton, øges antallet af slag i minuttet og når de tal, som er vist i oversigten. Når temperaturen er lav og fedtet ikke er så flydende, vil maskinen muligvis ikke have denne funktion, selv når motoren kører.

#### ⚠ FORSIGTIG:


- Hvis maskinen anvendes uafbrudt i længere tid ved lave hastigheder, kan motoren blive overophedet med fejlfunktion af maskinen som resultat.
- Hastighedsvælgeren kan kun drejes til 5 og tilbage til 1. Tving den ikke forbi 5 eller 1, da hastighedsindstillingsfunktionen i så fald ikke længere vil virke.

### Valg af funktionsmåde


#### ⚠ FORSIGTIG:

- Lad være med at dreje funktionsvælgeren, når maskinen kører. Maskinen vil lide skade.
- For at undgå tidlig slitage af funktionsvælgermekanismen, skal man sørge for, at funktionsvælgeren altid er sat præcist til en af funktionsmådestillingerne.


### Hammerboring (Fig. 4)

For at bore i beton, murværk etc., skal funktionsvælgeren sættes til  symbolet. Brug et bor med tungsten-karbidspids.

### Hammerfunktion (afbryderfunktion) (Fig. 5)

Ved mejslings-, afskalnings- eller nedbrydningsarbejde skal funktionsvælgeren drejes til  symbolet. Anvend en spidsmejsel, koldmejsel, afskalningsmejsel etc.

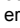
### Hammerfunktion (afbryderknapfunktion)

For uafbrudt mejslings-, afskalnings- eller nedbrydningsarbejde, skal funktionsvælgeren drejes til  symbolet. (Fig. 6)

Afbryderknappen kommer ud og lyser rødt.

Anvend en spidsmejsel, koldmejsel, afskalningsmejsel etc. (Fig. 7)

#### BEMÆRK:

- Når maskinen anvendes i  symbolfunktion, virker afbryderen ikke, kun afbryderknappen virker.

### Skridkobling

Skridkoblingen slår til, når et vist omdrejningsmoment nås. Motoren kobles fra drivakslen. Når dette sker, vil boret holde op med at rotere.

### **FORSIGTIG:**

- Sluk straks for maskinen, så snart skridkoblingen slår til. Dette bidrager til at forhindre unødigt slid på maskinen.

### **Indikatorlampe (Fig. 8)**

Den grønne tændt-indikatorlampe tændes, når maskinen sættes i forbindelse. Hvis indikatorlampen ikke tændes, kan det betyde, at strømledningen eller kontrolenheden er defekt.

Hvis indikatorlampen tændes, men maskinen ikke starter, selv når der er tændt for den, kan det betyde, at kulbørsterne er nedslidte eller at kontrolenheden, motoren eller tænd/sluk-knappen (ON/OFF) er defekt.

Hvis ovennævnte symptomer opstår, skal De holde op med at bruge maskinen og straks rette henvendelse til Deres lokale service-center.

Den røde serviceindikatorlampe tændes, når kulbørsterne er næsten nedslidte som indikering af, at maskinen skal serviceres. Efter nogen tids brug stopper motoren automatisk.

## **SAMLING**

### **FORSIGTIG:**

- Sørg altid for at værktøjet er slukket og netstikket trukket ud, inden der foretages noget arbejde på selve værktøjet.

### **Sidehåndtag (Fig. 9)**

#### **FORSIGTIG:**

- Anvend kun sidehåndtaget, når der udføres mejsling, afskalning eller nedbrydning. Anvend det ikke ved boring i beton, murværk etc. Maskinen kan ikke holdes ordentligt med dette sidehåndtag under boring.

Sidehåndtaget kan drejes 360° vertikalt og fastgøres i en hvilken som helst stilling. Det kan også fastgøres i otte forskellige positioner frem og tilbage i vandret stilling. Man behøver blot at løsne fastspændingsmøtrikken for at svinge sidehåndtaget til den ønskede stilling. Stram derefter fastspændingsmøtrikken godt til. (Fig. 10)

### **Sidegreb (Fig. 11)**

#### **FORSIGTIG:**

- Anvend altid sidegrebet for at sikre betjeningsikkerheden, når der bores i beton, murværk etc.

Sidegrebet kan drejes til begge sider, hvilket muliggør sikker betjening af maskinen i en hvilken som helst stilling. Sidegrebet løsnes ved at man drejer det mod uret, svinger det til den ønskede stilling og derefter strammer det ved at dreje det med uret.

### **Montering og afmontering af boret**

Rengør borskaffet og påfør borfedt, inden boret monteres. (Fig. 12)

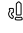
Sæt boret ind i maskinen. Drej boret og tryk det ind, indtil det sidder fast.


Tag boret ud, hvis det ikke kan trykkes ind. Træk borepatrondækslet ned et par gange. Sæt derefter boret ind igen. Drej boret og tryk det ind, indtil det sidder fast.

Kontroller altid efter montering, at boret sidder ordentlig fast ved at prøve at trække det ud. (Fig. 13)

Boret tages ud ved at man trækker borepatrondækslet hele vejen ned, hvorefter boret kan tages ud. (Fig. 14)

### **Borvinkel (ved mejsling, afskalning eller nedbrydning)**

Boret kan fastgøres i 24 forskellige vinkler. Hvis borvinklen ønskes ændret, skal man dreje funktionsvælgeren således, at viseren er rettet mod  symbolet. Drej boret til den ønskede vinkel. (Fig. 15)

Drej funktionsvælgeren, så viseren er rettet mod  symbolet. Kontroller derefter, at boret sidder ordentligt fast ved at dreje det en smule. (Fig. 16)

### **Dybdeanslag**

Dybdeanslaget er nyttigt ved boring af huller med samme dybde.

Tryk på og hold låseknappen inde, og sæt dybdeanslaget ind i sekskanthullet. (Fig. 17)

Sørg for, at siden med tænderne på dybdeanslaget vender mod markeringen.

Indstil dybdeanslaget ved at flytte det frem og tilbage, idet De trykker på låseknappen. Efter indstillingen slippes låseknappen for at låse dybdeanslaget. (Fig. 18)

### **BEMÆRK:**


- Dybdeanslaget kan ikke anvendes i en stilling, hvor det slår mod gearhuset/maskinkroppen.

## **BETJENING**

### **FORSIGTIG:**

- Sørg for, at arbejdsmaterialet er fastspændt og ikke er ustabil. Flyvende genstande kan forårsage personskade.
- Træk ikke maskinen ud med magt, selv hvis boret har sat sig fast. Hvis De mister herredømmet over maskinen, kan tilskadekomst blive resultatet.

### **Hammerboring (Fig. 19)**

Sæt funktionsvælgeren ud for  symbolet.

Anbring bitten på det ønskede sted, hvor hullet skal være, og tryk derefter afbryderen ind.

Pres ikke maskinen. Et let tryk giver det bedste resultat. Hold maskinen i stilling og sørg for at forhindre, at den glider væk fra hullet.

Udøv ikke et større tryk, når hullet bliver tilstoppet af spåner eller partikler. Køb i stedet maskinen i tomgang, og fjern derefter bitten delvist fra hullet. Ved at gentage dette adskillige gange, vil hullet blive renset ud, og boringen kan fortsættes.



### **FORSIGTIG:**

- Maskinen/boret udsættes for en enorm og pludselig vridningskraft på det tidspunkt, hvor der brydes igennem hullet, hvis hullet bliver tilstoppet med spåner og partikler, eller hvis boret rammer de forstærkende bjælker i betonen. Brug altid sidegrebet (hjælpehåndtag) og hold maskinen fast med både sidegreb og skiftehåndtag under arbejdet, og oprethold en god balance og et godt fodfæste. Hvis dette ikke gøres, kan det medføre, at De mister herredømmet over maskinen med risiko for alvorlig tilskadekomst til følge.

### **Udblæsningskugle (ekstraudstyr) (Fig. 20)**

Brug udblæsningskuglen til at fjerne støv fra hullet, når det er udboret.

## Mejselarbejde/afskalning/nedbrydning (Fig. 21)

Sæt funktionsvælgeren ud for  eller  symbolet.

Hold altid godt fast i maskinen med begge hænder. Tænd for maskinen og udøv et let tryk på maskinen, så den ikke hopper ukontrolleret rundt. Et stærkt tryk på maskinen vil ikke øge effektiviteten.

## VEDLIGEHODELSE

### FORSIGTIG:

- Kontroller altid, at værktøjet er slået fra, og at netstikket er trukket ud, inden der udføres eftersyn eller vedligeholdelse.
- Anvend aldrig benzin, rensebenzin, fortynder, alkohol og lignende. Resultatet kan blive misfarvning, deformation eller revner.

### Smøring

#### FORSIGTIG:

- Servicering bør kun foretages af et autoriseret Makita service-center.
- Foretag ikke smøring lige efter arbejdet, men vent til maskinen er kølet af. Ellers kan resultatet blive hudforbrændinger.

Denne maskine kræver ikke smøring hver time eller hver dag, da den er udstyret med et lukket smøresystem. Det er dog nødvendigt at udskifte fedt og kulbørster periodisk for at maskinen kan få en lang levetid.

(For model HR4003C) Løsn de seks skruer og fjern håndtaget. (Fig. 22)

(For model HR4013C) Løsn de otte skruer. Fjern beskyttelsesskærmen som vist på illustrationen. Fjern derefter håndtaget. (Fig. 23 og 24)

Fjern koblingen ved at trække i den. (Fig. 25)

Løsn skrueerne og fjern funktionsvælgeren.

Fjern krumtaphættedækslet. (Fig. 26)

Fjern kontrolpladen. (Fig. 27)

Løsn de seks skruer og fjern krumtaphætten. Læg maskinen på bordet med boreenden opad. Dette vil gøre det muligt for fedtet at samles inden i krumtaphuset. (Fig. 28)

Tør det gamle fedt indeni bort og erstat det med frisk fedt (30 g). Brug kun ægte Makita hammerfedt (ekstraudstyr). Påfyldning af mere end den specificerede mængde fedt (ca. 30 g) kan føre til forøget hammerarbejde eller maskinefejl. Fyld kun den specificerede mængde fedt på.

Monter alle de aftagne dele igen. (Fig. 29)

Monter koblingen og sæt håndtaget på igen. (Fig. 30)

### BEMÆRK:

- Bemærk, at der anvendes skrue af forskellig længde.

### BEMÆRKNING

- Stram ikke krumtaphætten for meget. Den er lavet af kunstharpiks og kan nemt brække.
- Vær påpasselig med ikke at beskadige koblingen eller ledningstrådene, specielt når det gamle fedt tørres bort eller håndtaget monteres.

For at opretholde produktets SIKKERHED og PÅLIDELIGHED bør reparation, vedligeholdelse og justering kun udføres af et Makita service center med anvendelse af original Makita udskiftingsdele.

## EKSTRAUDSTYR

### FORSIGTIG:

- Det følgende tilbehør og ekstraudstyr er anbefalet til brug med Deres Makita værktøjet, der er beskrevet i denne brugsanvisning. Anvendelse af andet tilbehør eller ekstraudstyr kan udgøre en risiko for personskade. Anvend kun tilbehør og ekstraudstyr til det beskrevne formål.

Hvis De har behov for yderligere detaljer om dette tilbehør, bedes De kontakte Deres lokale Makita service center.

- SDS-Max bor med karbidspids
- SDS-Max spidsmejsel
- SDS-Max koldmejsel
- SDS-Max afskalningsmejsel
- SDS-Max flisemejsel
- SDS-Max lerspade
- Hammerfedt
- Borfedt
- Sidehåndtag
- Sidegreb
- Dybdeanslag
- Udblæsningskugle
- Sikkerhedsbriller
- Transportkuffert
- Støvdutrækningstilbehør

### BEMÆRK:

- Nogle ting på denne liste kan være inkluderet i værktøjspakken som standardtilbehør. Det kan være forskelligt fra land til land.

ENG905-1

### Lyd

Det typiske A-vægtede støjniveau bestemt i overensstemmelse med EN60745:

Lydtryksniveau ( $L_{pA}$ ): 92 dB (A)

Lydeffektivniveau ( $L_{WA}$ ): 103 dB (A)

Usikkerhed (K): 3 dB (A)

### Bør høreværn

ENG900-1

### Vibration

Vibrations totalværdi (tre-aksial vektorsum) bestemt i overensstemmelse med EN60745:

#### Model HR4003C

Arbejdsindstilling: mejslingsfunktion med sidehåndtag

Vibrationsafgivelse ( $a_{h,C_{Heq}}$ ): 9,0 m/s<sup>2</sup>

Usikkerhed (K): 1,5 m/s<sup>2</sup>

Arbejdsindstilling: mejslingsfunktion med sidegreb

Vibrationsafgivelse ( $a_{h,C_{Heq}}$ ): 9,0 m/s<sup>2</sup>

Usikkerhed (K): 1,5 m/s<sup>2</sup>

Arbejdsindstilling: hammerboring i beton

Vibrationsafgivelse ( $a_{h,HD}$ ): 10,0 m/s<sup>2</sup>

Usikkerhed (K): 1,5 m/s<sup>2</sup>

**Model HR4013C**

Arbejdsindstilling: mejslingsfunktion med sidehåndtag

Vibrationsafgivelse ( $a_{h,C_{Hed}}$ ): 4,5 m/s<sup>2</sup>

Usikkerhed (K): 1,5 m/s<sup>2</sup>

Arbejdsindstilling: mejslingsfunktion med sidegreb

Vibrationsafgivelse ( $a_{h,C_{Hed}}$ ): 4,5 m/s<sup>2</sup>

Usikkerhed (K): 1,5 m/s<sup>2</sup>

Arbejdsindstilling: hammerboring i beton

Vibrationsafgivelse ( $a_{h,H_D}$ ): 5,0 m/s<sup>2</sup>

Usikkerhed (K): 1,5 m/s<sup>2</sup>

ENG901-1

- Den angivne vibrationsemissionsværdi er blevet målt i overensstemmelse med standardtestmetoden og kan anvendes til at sammenligne et værktøj med et andet.
- Den angivne vibrationsemissionsværdi kan også anvendes i en præliminær eksponeringsvurdering.

**⚠ ADVARSEL:**

- Vibrationsemissionen under den faktiske anvendelse af værktøjet kan være forskellig fra den erklærede emissionsværdi, afhængigt af den måde, hvorpå værktøjet anvendes.
- Sørg for at identificere de sikkerhedsforskrifter til beskyttelse af operatøren, som er baseret på en vurdering af eksponering under de faktiske brugsforhold (med hensyntagen til alle dele i brugscyklen, som f.eks. de gange, hvor værktøjet er slukket og når den kører i tomgang i tilgift til afbrydertiden).

ENH101-16

**Kun for lande i Europa****EU-konformitetserklæring**

**Vi, Makita Corporation, erklærer, som den ansvarlige fabrikant, at det (de) følgende Makita værktøj:**

Maskinens betegnelse:

Borehammer

Model nr./Type: HR4003C, HR4013C

er af serieproduktion og

**opfylder betingelserne i de følgende EU-direktiver:**

2006/42/EU

og er fremstillet i overensstemmelse med de følgende standarder eller standardiserede dokumenter:

EN60745

Den tekniske dokumentation opbevares af:

Makita International Europe Ltd.

Teknisk Afdeling,

Michigan Drive, Tongwell,

Milton Keynes, Bucks MK15 8JD, England

6.2.2013



Tomoyasu Kato

Direktør

Makita Corporation

3-11-8, Sumiyoshi-cho,

Anjo, Aichi, 446-8502, JAPAN

**Περιγραφή γενικής άποψης**

1 Σκανδάλη-διακόπτης	8 Πλευρική χειρολαβή	17 Φυσητήρας
2 Κουμπί-διακόπτης	9 Παξιμάδι σύσφιξης	18 Βίδες
3 Επιλογέας ρύθμισης	10 Πλευρική λαβή	19 Προστατευτικό κάλυμμα
4 Μοχλός αλλαγής	11 Στέλεχος αιχμής	20 Συνδετήρας
5 Δείκτης	12 Λιπαντικό αιχμής	21 Βίδα
6 Ενδεικτική λυχνία ενεργοποίησης (πράσινη)	13 Αιχμή	22 Κάλυμμα καπακιού στροφάλου
7 Ενδεικτική λυχνία σέρβις (κόκκινη)	14 Κάλυμμα σφιγκτήρα	23 Πλάκα ελέγχου
	15 Μετρητής βάθους	24 Καπάκι στροφάλου
	16 Κουμπί κλειδώματος	25 Λιπαντικό σφυριού

**ΤΕΧΝΙΚΑ ΧΑΡΑΚΤΗΡΙΣΤΙΚΑ**

Μοντέλο		HR4003C	HR4013C
Ικανότητες	Αιχμή με άκρο καρβιδίου	40 χιλ	
	Αιχμή πυρήνα	105 χιλ	
Ταχύτητα χωρίς φορτία (λεπ <sup>-1</sup> )		250 – 500	
Κρούσεις ανά λεπτό		1.450 – 2.900	
Συνολικό μήκος		479 χιλ	
Καθαρό βάρος		6,2 χγρ	6,8 χγρ
Κατηγορία ασφάλειας		□/II	

GEB007-7

- Λόγω του συνεχόμενου προγράμματος έρευνας και ανάπτυξης, τα τεχνικά χαρακτηριστικά στο παρόν έντυπο υπόκεινται σε αλλαγή χωρίς προειδοποίηση.
- Τα τεχνικά χαρακτηριστικά μπορεί να διαφέρουν από χώρα σε χώρα.
- Βάρος σύμφωνα με διαδικασία ΕΡΤΑ 01/2003

ENE044-1

**Προοριζόμενη χρήση**

Αυτό το εργαλείο προορίζεται για κρουστικό τρυπάνισμα σε τούβλο, σκυρόδεμα και πέτρα όπως επίσης και για εργασίες πελεκήματος.

ENF002-2

**Ρευματοδότηση**

Το εργαλείο πρέπει να συνδέεται μόνο σε παροχή ρεύματος της ίδιας τάσης με αυτή που αναγράφεται στην πινακίδα ονομαστικών τιμών και μπορεί να λειτουργήσει μόνο με εναλλασσόμενο μονοφασικό ρεύμα. Τα εργαλεία αυτά έχουν διπλήμόνωση και, κατά συνέπεια, μπορούν να συνδεθούν σε πρίζες χωρίς σύρμα γείωσης.

GEA010-1

**Γενικές προειδοποιήσεις ασφαλείας για το ηλεκτρικό εργαλείο**

**⚠ ΠΡΟΕΙΔΟΠΟΙΗΣΗ Διαβάστε όλες τις προειδοποιήσεις ασφαλείας και όλες τις οδηγίες.** Η μη τήρηση των προειδοποιήσεων και οδηγιών ενδέχεται να καταλήξει σε ηλεκτροπληξία, πυρκαγιά ή/και σοβαρό τραυματισμό.

**Φυλάξτε όλες τις προειδοποιήσεις και τις οδηγίες για μελλοντική παραπομπή.**

**ΠΡΟΕΙΔΟΠΟΙΗΣΕΙΣ ΑΣΦΑΛΕΙΑΣ ΓΙΑ ΤΟ ΠΕΡΙΣΤΡΟΦΙΚΟ ΣΦΥΡΙ**

1. **Να φοράτε προστατευτικά ακοής.** Η έκθεση στο θόρυβο δύναται να προκαλέσει απώλεια ακοής.
2. **Να χρησιμοποιείτε τη/τις βοηθητική(ές) λαβή(ές), εάν παρέχεται(ονται) με το εργαλείο.** Η απώλεια ελέγχου δύναται να προκαλέσει προσωπικό τραυματισμό.
3. **Να κρατάτε το ηλεκτρικό εργαλείο μόνον από τις μονωμένες επιφάνειες συγκράτησης, κατά την εκτέλεση εργασίας όπου το παρεκκόμενο κοπής ενδέχεται να έλθει σε επαφή με κρυφές καλωδιώσεις ή το δικό του καλώδιο τροφοδοσίας.** Σε περίπτωση επαφής του παρεκκόμενου κοπής με "ηλεκτροφόρο" καλώδιο, ενδέχεται τα εκτεθειμένα μεταλλικά εξαρτήματα του ηλεκτρικού εργαλείου να καταστούν τα ίδια "ηλεκτροφόρα" και να προκαλέσουν ηλεκτροπληξία στο χειριστή.
4. **Να φοράτε κράνος, γυαλιά ασφαλείας ή/και προσωπίδα προστασίας.** Τα κοινά γυαλιά όρασης ή ηλίου ΔΕΝ αποτελούν γυαλιά ασφαλείας. Επιπλέον, συνιστάται ιδιαίτερα η χρήση μάσκας προστασίας από τη σκόνη και γάντια με επένδυση μεγάλου πάχους.
5. **Βεβαιωθείτε ότι η αιχμή είναι ασφαλισμένη στη θέση της πριν από τη λειτουργία.**
6. **Υπό κανονικές συνθήκες λειτουργίας, το εργαλείο έχει σχεδιαστεί για την παραγωγή κραδασμών. Οι βίδες ενδέχεται να ξεσφίξουν εύκολα, προκαλώντας βλάβη ή ατύχημα. Ελέγξτε τη σύσφιξη των βιδών με προσοχή, πριν από τη λειτουργία.**

7. Σε χαμηλές θερμοκρασίες περιβάλλοντος ή όταν το εργαλείο δεν έχει χρησιμοποιηθεί για μεγάλο χρονικό διάστημα, αφήστε το εργαλείο να προθερμανθεί για κάποιο χρονικό διάστημα αφήνοντάς το σε λειτουργία χωρίς φορτίο. Έτσι, επιτυγχάνεται η ρευστοποίηση του λιπαντικού. Χωρίς κατάλληλη προθέρμανση, η κρουστική λειτουργία δυσχεραίνεται.
8. Να φροντίζετε πάντα για τη διατήρηση καλής ισορροπίας. Βεβαιωθείτε ότι δεν υπάρχει άτομο ακριβώς από κάτω, όταν χρησιμοποιείτε το ηλεκτρικό εργαλείο σε υψηλά σημεία.
9. Κρατήστε το εργαλείο σταθερά με τα δύο χέρια.
10. Μην πιεσιάζετε τα χέρια σας στα περιστρεφόμενα εξαρτήματα.
11. Μην αφήνετε το εργαλείο σε λειτουργία. Να χειρίζεστε το εργαλείο μόνον όταν το κρατάτε.
12. Μην στρέψετε το εργαλείο προς την κατεύθυνση οποιουδήποτε παρευρισκόμενου στο χώρο εργασίας. Η αιχμή ενδέχεται να εκτιναχθεί και να προκαλέσει σοβαρό τραυματισμό σε τρίτους.
13. Μην αγγίζετε την αιχμή ή τα εξαρτήματα κοντά στην αιχμή αμέσως μετά από την ολοκλήρωση της εργασίας, ενδέχεται να είναι εξαιρετικά θερμά και να προκαλέσουν έγκαυμα στο δέρμα σας.
14. Ορισμένα υλικά περιέχουν χημικές ουσίες, οι οποίες ενδέχεται να είναι τοξικές. Λάβετε τα απαραίτητα μέτρα προφύλαξης, ώστε να αποτραπεί η εισπνοή σκόνης και η επαφή με το δέρμα. Να τηρείτε τις οδηγίες ασφαλείας του προμηθευτή των υλικών.

## ΦΥΛΑΞΤΕ ΤΙΣ ΟΔΗΓΙΕΣ ΑΥΤΕΣ.

### ⚠ ΠΡΟΕΙΔΟΠΟΙΗΣΗ:

**ΜΗΝ** επιτρέψετε το βαθμό άνεσης ή εξοικείωσης με το προϊόν (λόγω επανειλημμένης χρήσης) να αντικαταστήσει την αυστηρή τήρηση των κανόνων ασφαλείας του παρόντος εργαλείου. **ΚΑΚΗ ΧΡΗΣΗ** ή αμέλεια να ακολουθήσετε τους κανόνες ασφαλείας που διατυπώνονται σε αυτό το εγχειρίδιο οδηγιών μπορεί να προκαλέσει σοβαρό προσωπικό τραυματισμό.

## ΠΕΡΙΓΡΑΦΗ ΛΕΙΤΟΥΡΓΙΑΣ

### ⚠ ΠΡΟΣΟΧΗ:

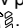
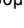
• Να βεβαιώνετε πάντοτε ότι το εργαλείο είναι σβηστό και αποσυνδεδεμένο από το ρεύμα πριν ρυθμίσετε ή ελέγξετε κάποια λειτουργία στο εργαλείο.

### Δράση διακόπτη (Εικ. 1)

### ⚠ ΠΡΟΣΟΧΗ:


• Πριν συνδέσετε το εργαλείο στο ρεύμα, να ελέγχετε πάντοτε να δείτε ότι η σκανδάλη-διακόπτης ενεργοποιείται κατάλληλα και επιστρέφει στη θέση "OFF" όταν ελευθερώνεται.


### Σκανδάλη-διακόπτης

Ο διακόπτης αυτός λειτουργεί όταν ρυθμίζετε το εργαλείο στη λειτουργία συμβόλων  και .

Για να ξεκινήσετε το εργαλείο, απλώς τραβήξτε τη σκανδάλη-διακόπτη. Ελευθερώστε τη σκανδάλη-διακόπτη για να σταματήσει.

### Κουμπί-διακόπτης (Εικ. 2)

Ο διακόπτης αυτός λειτουργεί όταν ρυθμίζετε το εργαλείο στη λειτουργία συμβόλου .

Όταν το εργαλείο βρίσκεται στη λειτουργία συμβόλου , το κουμπί-διακόπτης προβάλλεται προς τα έξω και φωτίζεται με κόκκινο χρώμα.

Για να εκκινήσετε το εργαλείο, πατήστε το κουμπί-διακόπτη. Το φως του διακόπτη ανάβει με πράσινο χρώμα.

Για να σταματήσετε το εργαλείο, πατήστε ξανά το κουμπί-διακόπτη.

### Αλλαγή ταχύτητας (Εικ. 3)

Οι περιστροφές και οι κρούσεις ανά λεπτό μπορούν να προσαρμοστούν εάν περιστρέψετε απλώς τον επιλογέα ρύθμισης. Ο επιλογέας είναι επισημασμένος με 1 (χαμηλότερη ταχύτητα) έως 5 (υψηλότερη ταχύτητα).

Ανατρέξτε στον παρακάτω πίνακα για τη σχέση μεταξύ των αριθμητικών ρυθμίσεων στον επιλογέα ρύθμισης και των περιστροφών/κρούσεων ανά λεπτό.

Αρίθμηση στον επιλογέα ρύθμισης	Περιστροφές ανά λεπτό	Κρούσεις ανά λεπτό
5	500	2.900
4	470	2.700
3	380	2.150
2	290	1.650
1	250	1.450

014134

### Μόνο για μοντέλο HR4013C

### ΠΑΡΑΤΗΡΗΣΗ:

• Οι κρούσεις ανά λεπτό χωρίς φορτίο γίνονται μικρότερες από αυτές με φορτίο για τη μείωση των κραδασμών όταν δεν υπάρχει φορτίο, αλλά αυτό δεν δημιουργεί πρόβλημα. Όταν ξεκινήσει η λειτουργία με μια αιχμή σε σκυρόδεμα, οι κρούσεις ανά λεπτό αυξάνονται και φτάνουν τους αριθμούς που παρουσιάζονται στον πίνακα. Όταν η θερμοκρασία είναι χαμηλή και υπάρχει μικρότερη ρευστότητα στο λιπαντικό, το εργαλείο μπορεί να μη διαθέτει αυτή τη λειτουργία ακόμα και όταν περιστρέφεται το μοτέρ.

### ⚠ ΠΡΟΣΟΧΗ:

• Εάν το εργαλείο λειτουργεί συνεχόμενα σε χαμηλές ταχύτητες για πολύ καιρό, το μοτέρ μπορεί να υπερφορτωθεί, με αποτέλεσμα τη δυσλειτουργία του εργαλείου.

• Ο επιλογέας ρύθμισης ταχύτητας μπορεί να περιστραφεί μόνο μέχρι το 5 και ξανά στο 1. Μην ασκείτε πίεση σε αυτό μετά το 5 ή το 1, διαφορετικά η λειτουργία ρύθμισης ταχύτητας μπορεί να μην λειτουργεί πλέον.

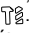
### Επιλογή τρόπου λειτουργίας

### ⚠ ΠΡΟΣΟΧΗ:


• Μην περιστρέψετε το μοχλό αλλαγής όταν λειτουργεί το εργαλείο. Θα προκληθεί βλάβη στο εργαλείο.

• Για να αποφύγετε τη γρήγορη φθορά στο μηχανισμό αλλαγής λειτουργίας, να βεβαιώνετε ότι ο μοχλός αλλαγής είναι πάντοτε θετικά τοποθετημένος σε μία από τις θέσεις λειτουργίας.

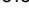
#### Λειτουργία κρουστικού τρυπανίσματος (Εικ. 4)

Για τρυπάνισμα σε σκυρόδεμα, τοίχους, κλπ., περιστρέψτε το μοχλό αλλαγής στο σύμβολο . Χρησιμοποιείτε μια αιχμή με άκρο βολφραμίου-καρβιδίου.

#### Λειτουργία κρούσης (Λειτουργία σκανδάλης-διακόπτης) (Εικ. 5)

Για εργασίες πελεκήματος, αποφλοίωσης ή κατεδάφισης, περιστρέψτε το μοχλό αλλαγής στο σύμβολο . Χρησιμοποιήστε κεφαλή αιχμηρού άκρου, ψυχρή σμίλη, σμίλη αποφλοίωσης, κλπ.

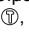
#### Λειτουργία κρούσης (Λειτουργία κουμπιού-διακόπτης)

Για συνεχόμενες εργασίες πελεκήματος, αποφλοίωσης ή κατεδάφισης, περιστρέψτε το μοχλό αλλαγής στο σύμβολο . (Εικ. 6)

Το κουμπι-διακόπτης προβάλλεται προς τα έξω και ανάβει με κόκκινο χρώμα.

Χρησιμοποιήστε κεφαλή αιχμηρού άκρου, ψυχρή σμίλη, σμίλη αποφλοίωσης, κλπ. (Εικ. 7)

#### ΠΑΡΑΤΗΡΗΣΗ:

• Όταν χρησιμοποιείτε το εργαλείο στη λειτουργία συμβόλου , η σκανδάλη-διακόπτης δεν λειτουργεί αλλά λειτουργεί μόνο το κουμπι-διακόπτης.

#### Περιοριστής ροπής

Ο περιοριστής ροπής θα ενεργοποιηθεί όταν η ροπή φθάσει ένα ορισμένο επίπεδο. Το μοτέρ θα αποσυνδεθεί από τον άξονα κίνησης. Όταν αυτό συμβεί, η αιχμή θα σταματήσει να περιστρέφεται.

#### ⚠ ΠΡΟΣΟΧΗ:

• Μόλις ενεργοποιηθεί ο περιοριστής ροπής, σβήστε αμέσως το εργαλείο. Αυτό θα βοηθήσει να αποφευχθεί η πρώιμη φθορά του εργαλείου.

#### Ενδεικτική λυχνία (Εικ. 8)

Η πράσινη ενδεικτική λυχνία ενεργοποιήσης ανάβει όταν το εργαλείο είναι συνδεδεμένο στο ρεύμα. Εάν η ενδεικτική λυχνία δεν ανάβει, το ηλεκτρικό καλώδιο ή ο ελεγκτής μπορεί να είναι ελαττωματικά.

Όταν ανάβει η ενδεικτική λυχνία αλλά το εργαλείο δεν ξεκινάει ακόμη και όταν το εργαλείο είναι ενεργοποιημένο, μπορεί να έχουν φθαρεί τα καρβουνάκια, ή ο ελεγκτής, το μοτέρ ή ο διακόπτης ON/OFF μπορεί να είναι ελαττωματικά.

Εάν προκύψουν τα παραπάνω συμπτώματα, διακόψτε αμέσως τη χρήση του εργαλείου και συμβουλευτείτε το τοπικό κέντρο εξυπηρέτησης.

Η κόκκινη ενδεικτική λυχνία σέρβις ανάβει όταν τα καρβουνάκια έχουν σχεδόν φθαρεί για να υποδείξει ότι το εργαλείο χρειάζεται σέρβις. Μετά από κάποια περίοδο χρήσης, το μοτέρ απενεργοποιείται αυτόματα.

#### ΣΥΝΑΡΜΟΛΟΓΗΣΗ

#### ⚠ ΠΡΟΣΟΧΗ:

• Να βεβαιώνετε πάντοτε ότι το εργαλείο είναι σβηστό και αποσυνδεδεμένο από το ρεύμα πριν εκτελέσετε οποιαδήποτε εργασία στο εργαλείο.

#### Πλευρική χειρολαβή (Εικ. 9)

#### ⚠ ΠΡΟΣΟΧΗ:

• Χρησιμοποιήστε την πλευρική χειρολαβή μόνο κατά το πελέκισμα, την αποφλοίωση ή την κατεδάφιση. Μην την χρησιμοποιείτε όταν τρυπανίζετε σε σκυρόδεμα, τοίχους, κλπ. Το εργαλείο δεν μπορεί να κρατηθεί κατάλληλα με αυτή την πλευρική χειρολαβή κατά το τρυπάνισμα.

Η πλευρική χειρολαβή μπορεί να στραφεί κατά 360° κατακόρυφα και να ασφαλιστεί σε οποιαδήποτε επιθυμητή θέση. Επίσης ασφαλίζει σε οκτώ διαφορετικές θέσεις εμπρός και πίσω οριζόντια. Απλώς χαλαρώστε το παξιμάδι σύσφιξης για να γυρίσετε την πλευρική χειρολαβή σε μια επιθυμητή θέση. Μετά σφίξτε το παξιμάδι σύσφιξης με ασφάλεια. (Εικ. 10)

#### Πλευρική λαβή (Εικ. 11)

#### ⚠ ΠΡΟΣΟΧΗ:

• Να χρησιμοποιείτε πάντοτε την πλευρική λαβή για ασφάλεια κατά τη λειτουργία όταν τρυpanίζετε σε σκυρόδεμα, τοίχους, κλπ.

Η πλευρική λαβή περιστρέφεται σε οποιαδήποτε πλευρά, επιτρέποντας εύκολο χειρισμό του εργαλείου σε οποιαδήποτε θέση. Χαλαρώστε την πλευρική λαβή γυρίζοντάς την αριστερόστροφα, περιστρέψτε την στην επιθυμητή θέση και μετά σφίξτε την γυρίζοντάς τη δεξιόστροφα.

#### Τοποθέτηση ή αφαίρεση της αιχμής

Καθαρίστε το στέλεχος της αιχμής και εφαρμόστε λιπαντικό αιχμής πριν τοποθετήσετε την αιχμή. (Εικ. 12)

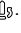
Βάλτε την αιχμή μέσα στο εργαλείο. Γυρίστε την αιχμή και σπρώξτε την μέχρι να εμπλακεί.


Εάν η αιχμή δεν μπορεί να σπρωχτεί μέσα, αφαιρέστε την. Τραβήξτε το κάλυμμα του σφινγκήρα προς τα κάτω μερικές φορές. Μετά βάλτε ξανά την αιχμή. Γυρίστε την αιχμή και σπρώξτε την μέχρι να εμπλακεί.

Μετά την τοποθέτηση, να βεβαιώνετε πάντοτε ότι η αιχμή είναι στερεωμένη με ασφάλεια στη θέση της προσπαθώντας να την τραβήξετε έξω. (Εικ. 13)

Για να αφαιρέσετε την αιχμή, τραβήξτε τέρμα προς τα κάτω το κάλυμμα σφινγκήρα και τραβήξτε την αιχμή έξω. (Εικ. 14)

#### Γωνία αιχμής (κατά το πελέκισμα, την αποφλοίωση ή την κατεδάφιση)

Η αιχμή μπορεί να στερεωθεί σε 24 διαφορετικές γωνίες. Για να αλλάξετε τη γωνία αιχμής, περιστρέψτε το μοχλό αλλαγής έτσι ώστε ο δείκτης να δείχνει στο σύμβολο . Γυρίστε την αιχμή στην επιθυμητή γωνία. (Εικ. 15)

Περιστρέψτε το μοχλό αλλαγής έτσι ώστε ο δείκτης να δείχνει στο σύμβολο . Μετά βεβαιωθείτε ότι η αιχμή είναι κρατημένη με ασφάλεια στη θέση της γυρίζοντάς την ελαφριά. (Εικ. 16)

#### Μετρητής βάθους

Ο μετρητής βάθους διευκολύνει τη διάνοιξη τρυπών ομοιόμορφου βάθους.

Πατήστε παρατεταμένα το κουμπι κλειδώματος και εισαγάγετε το μετρητή βάθους στην εξαγωνική τρύπα. (Εικ. 17)

Βεβαιωθείτε ότι η πλευρά με τις οδοντώσεις του μετρητή βάθους είναι στραμμένη προς την ένδειξη.

Ρυθμίστε το μετρητή βάθους μετακινώντας το εμπρός και πίσω ενώ πατάτε το κουμπι κλειδώματος. Μετά τη ρύθμιση, αφήστε το κουμπι κλειδώματος για να ασφαλίσετε το μετρητή βάθους. (Εικ. 18)

#### ΠΑΡΑΤΗΡΗΣΗ:

• Ο μετρητής βάθους δεν μπορεί να χρησιμοποιηθεί στη θέση όπου ο μετρητής βάθους χτυπάει επάνω στο περίβλημα γρναζιών/περίβλημα μοτέρ.

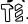


## ΛΕΙΤΟΥΡΓΙΑ

### ⚠ ΠΡΟΣΟΧΗ:

- Βεβαιωθείτε ότι το υλικό εργασίας είναι ασφαλισμένο και δεν είναι ασταθές. Η εκτόξευση ενός αντικειμένου μπορεί να προκαλέσει προσωπικό τραυματισμό.
- Μην τραβάτε με βία το εργαλείο προς τα έξω ακόμη και εάν η αιχμή κολλάσει. Η απώλεια του ελέγχου μπορεί να προκαλέσει τραυματισμό.

### Λειτουργία κρουστικού τρυπανίσματος (Εικ. 19)

Ρυθμίστε τον μοχλό αλλαγής στο σύμβολο . Τοποθετήστε την αιχμή στην επιθυμητή θέση για την τρύπα, μετά τραβήξτε τη σκανδάλη διακόπτη.

Μην ασκείτε δύναμη στο εργαλείο. Η ελαφριά πίεση δίνει τα καλύτερα αποτελέσματα. Κρατήστε το εργαλείο στη σωστή θέση και εμποδίστε το από το να γλιστρήσει έξω από την τρύπα.

Μην ασκείτε μεγαλύτερη πίεση, όταν η τρύπα βουλώνει με αποκοπίδια και τεμαχίδια. Αντ' αυτού, θέστε το εργαλείο σε λειτουργία ελαντί και μετά τραβήξτε την αιχμή μερικώς από την τρύπα. Εάν επαναλάβετε το ίδιο αρκετές φορές, η τρύπα θα καθαρίσει και μπορείτε να συνεχίσετε με την εργασία τρυπανίσματος.


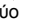
### ⚠ ΠΡΟΣΟΧΗ:

- Το εργαλείο/αιχμή υφίσταται ξαφνική και ισχυρή δύναμη περιστροφής τη στιγμή που διέρχεται από την τρύπα στο άλλο άκρο, όταν η τρύπα παρουσιάζει έμφραξη με αποκοπίδια και τεμαχίδια ή όταν συναντήσει βέργες ενίσχυσης πακτωμένες στο σκυρόδεμα. Να χρησιμοποιείτε πάντοτε την πλευρική λαβή (βοηθητική λαβή) και να κρατάτε σταθερά το εργαλείο από την πλευρική λαβή και τη λαβή διακόπτη κατά την εκτέλεση των εργασιών και να διατηρείτε καλή ισορροπία και ασφαλή στήριξη ποδιών. Η μη συμμόρφωση μπορεί να έχει ως αποτέλεσμα την απώλεια ελέγχου του εργαλείου και την ενδεχόμενη πρόκληση σοβαρού τραυματισμού.

### Φυσητήρας (προαιρετικό εξάρτημα) (Εικ. 20)

Μετά από τη διάρθρωση της τρύπας, χρησιμοποιήστε το φυσητήρα για να καθαρίσετε τη σκόνη από την τρύπα.

### Πελέκημα/Αποφλοιωση/Κατεδάφιση (Εικ. 21)

Ρυθμίστε τον μοχλό αλλαγής στο σύμβολο  ή . Κρατάτε το εργαλείο σταθερά και με τα δύο χέρια. Ανάψτε το εργαλείο και εφαρμόστε ελαφριά πίεση στο εργαλείο έτσι ώστε να μην αναπηδήσει ανεξέλεγκτα. Η άσκηση μεγάλης πίεσης στο εργαλείο δεν θα αυξήσει την αποδοτικότητά του.

## ΣΥΝΤΗΡΗΣΗ

### ⚠ ΠΡΟΣΟΧΗ:

- Να βεβαιώνετε πάντοτε ότι το εργαλείο είναι σβηστό και απασυνδεδεμένο από το ρεύμα πριν επιχειρήσετε να κάνετε επιθεώρηση ή συντήρηση.
- Μην χρησιμοποιείτε ποτέ βενζίνη, πετρελαιοκάθαρτα, διαλυτικά, αλκοόλη ή παρόμοιες ουσίες. Μπορεί να προκληθεί αποχρωματισμός, παραμόρφωση ή ρωγμές.

### Λίπανση

### ⚠ ΠΡΟΣΟΧΗ:

- Αυτό το σέρβις πρέπει να εκτελείται μόνο από εξουσιοδοτημένα κέντρα εξυπηρέτησης της Makita.
- Μην εκτελέσετε τη λίπανση αμέσως μετά τη λειτουργία, περιμένετε μέχρι να κρυώσει το εργαλείο. Διαφορετικά, μπορεί να προκύψει έγκαυμα στο δέρμα σας.

Αυτό το εργαλείο δεν χρειάζεται ωριαία ή ημερήσια λίπανση επειδή έχει ένα σύστημα λίπανσης με πακέτο γράσο. Ωστόσο, πρέπει να αντικαθιστάτε περιοδικά το γράσο και τα καρβονάκια για τη μεγάλη διάρκεια ζωής του εργαλείου.

(Για το μοντέλο HR4003C) Χαλαρώστε τις έξι βίδες και αφαιρέστε τη λαβή. (Εικ. 22)

(Για το μοντέλο HR4013C) Χαλαρώστε τις οκτώ βίδες. Και βγάλτε το προστατευτικό κάλυμμα όπως παρουσιάζεται στην εικόνα. Μετά αφαιρέστε τη λαβή. (Εικ. 23 και 24)

Τραβήξτε το συνδετήρα για να τον αφαιρέσετε. (Εικ. 25)

Χαλαρώστε τις βίδες και αφαιρέστε το μοχλό αλλαγής.

Βγάλτε το κάλυμμα κατακόβιου στροφάλου. (Εικ. 26)

Βγάλτε την πλάκα ελέγχου. (Εικ. 27)

Χαλαρώστε τις έξι βίδες και βγάλτε το καπάκι στροφάλου. Τοποθετήστε το εργαλείο σε ένα τραπέζι με το άκρο της αιχμής στραμμένο προς τα επάνω. Έτσι το παλιό λιπαντικό θα συγκεντρωθεί στο περιβλήμα στροφάλου. (Εικ. 28)

Σκουπίστε το παλιό λιπαντικό στο εσωτερικό και αντικαταστήστε το με καινούργιο λιπαντικό (30 γρ). Να χρησιμοποιείτε μόνο γνήσιο λιπαντικό σφυριού της Makita (προαιρετικό εξάρτημα). Η πλήρωση με ποσότητα λιπαντικού μεγαλύτερη από την καθορισμένη (περίπου 30 γρ) μπορεί να προκαλέσει ελαττωματική δράση σφυροκοπήματος ή αποτυχία εργαλείου. Να πληρώνετε μόνο με την καθορισμένη ποσότητα λιπαντικού.

Τοποθετήστε ξανά όλα τα μέρη που αφαιρέσατε. (Εικ. 29)

Προσαρμόστε το συνδετήρα και τοποθετήστε ξανά τη λαβή. (Εικ. 30)

### ΠΑΡΑΤΗΡΗΣΗ:

- Σημειώστε ότι χρησιμοποιούνται διαφορετικά μήκη βιδών.

### ANAK INΩΣΗ

- Μην σφίγγετε υπερβολικά το καπάκι στροφάλου. Είναι κατασκευασμένο από ρητίνη και μπορεί να σπάσει.
- Προσέξτε να μην προκαλέσετε βλάβη στο συνδετήρα ή στα καλώδια ειδικά όταν σκουπίζετε το παλιό λιπαντικό ή τοποθετείτε τη λαβή.

Για τη διατήρηση της ΑΣΦΑΛΕΙΑΣ και ΑΞΙΟΠΙΣΤΙΑΣ του προϊόντος, οι επισκευές και οποιαδήποτε άλλη συντήρηση ή ρύθμιση πρέπει να εκτελούνται από τα εξουσιοδοτημένα κέντρα εξυπηρέτησης της Makita, χρησιμοποιώντας πάντοτε ανταλλακτικών Makita.

## ΠΡΟΑΙΡΕΤΙΚΑ ΕΞΑΡΤΗΜΑΤΑ

### ⚠ ΠΡΟΣΟΧΗ:

- Αυτά τα εξαρτήματα ή προσαρτήματα συνιστώνται για χρήση με το εργαλείο σας της Makita που περιγράφεται στο εγχειρίδιο αυτό. Η χρήση οποιουδήποτε άλλων εξαρτημάτων ή προσαρτημάτων μπορεί να παρουσιάσει κίνδυνο τραυματισμού σε άτομα. Χρησιμοποιήστε τα εξαρτήματα ή προσαρτήματα μόνο για τη χρήση που προορίζονται.

Εάν χρειάζεστε οποιαδήποτε βοήθεια για περισσότερες λεπτομέρειες σε σχέση με αυτά τα εξαρτήματα, ρωτήστε το τοπικό σας κέντρο εξυπηρέτησης της Makita.

- SDS-Max αιχμές με άκρο καρβιδίου
- SDS-Max σφυροκέφαλο
- SDS-Max ψυχρή σμίλη
- SDS-Max αποζυστική σμίλη

- SDS-Max σμίλη για πλακάκια
- SDS-Max φυτάρι χρώματος
- Λιπαντικό σφυριού
- Λιπαντικό αιχμής
- Πλευρική χειρολαβή
- Πλευρική λαβή
- Μετρητής βάρους
- Φυσητήρας
- Γυαλιά ασφάλειας
- Θήκη μεταφοράς
- Προσάρτημα εξαγωγής σκόνης

#### ΠΑΡΑΤΗΡΗΣΗ:

- Μερικά στοιχεία στη λίστα μπορεί να συμπεριλαμβάνονται στη συσκευασία εργαλείου ως στάνταρ εξαρτήματα. Μπορεί να διαφέρουν ανάλογα με τη χώρα.

ENG905-1

#### Θόρυβος

Το τυπικό Α επίπεδο μετρημένου θορύβου καθορίζεται σύμφωνα με το EN60745:

Στάθμη πίεσης ήχου ( $L_{pA}$ ): 92 dB (A)  
 Στάθμη ισχύος ήχου ( $L_{WA}$ ): 103 dB (A)  
 Αβεβαιότητα (K): 3 dB (A)

#### Φοράτε ωτοασπίδες

ENG900-1

#### Κραδασμός

Η ολική τιμή κραδασμών (άθροισμα τριαξονικού διανύσματος) καθορίζεται σύμφωνα με το EN60745:

##### Μοντέλο HR4003C

Είδος εργασίας: λειτουργία σμίλευσης με πλευρική χειρολαβή  
 Εκπομπή κραδασμών ( $a_{h,CHeq}$ ): 9,0 m/s<sup>2</sup>  
 Αβεβαιότητα (K): 1,5 m/s<sup>2</sup>

Είδος εργασίας: λειτουργία σμίλευσης με πλευρική λαβή  
 Εκπομπή κραδασμών ( $a_{h,CHeq}$ ): 9,0 m/s<sup>2</sup>  
 Αβεβαιότητα (K): 1,5 m/s<sup>2</sup>

Είδος εργασίας: κρουστικό τρυπάνισμα σε σιμέντο  
 Εκπομπή κραδασμών ( $a_{h,HD}$ ): 10,0 m/s<sup>2</sup>  
 Αβεβαιότητα (K): 1,5 m/s<sup>2</sup>

##### Μοντέλο HR4013C

Είδος εργασίας: λειτουργία σμίλευσης με πλευρική χειρολαβή  
 Εκπομπή κραδασμών ( $a_{h,CHeq}$ ): 4,5 m/s<sup>2</sup>  
 Αβεβαιότητα (K): 1,5 m/s<sup>2</sup>

Είδος εργασίας: λειτουργία σμίλευσης με πλευρική λαβή  
 Εκπομπή κραδασμών ( $a_{h,CHeq}$ ): 4,5 m/s<sup>2</sup>  
 Αβεβαιότητα (K): 1,5 m/s<sup>2</sup>

Είδος εργασίας: κρουστικό τρυπάνισμα σε σιμέντο  
 Εκπομπή κραδασμών ( $a_{h,HD}$ ): 5,0 m/s<sup>2</sup>  
 Αβεβαιότητα (K): 1,5 m/s<sup>2</sup>

ENG901-1

- Η δηλωμένη τιμή εκπομπής κραδασμών έχει μετρηθεί σύμφωνα με την πρότυπη μέθοδο δοκιμής και μπορεί να χρησιμοποιηθεί για τη σύγκριση ενός εργαλείου με άλλο.
- Η δηλωμένη τιμή εκπομπής κραδασμών μπορεί να χρησιμοποιηθεί και στην προκαταρκτική αξιολόγηση έκθεσης.

#### ⚠ ΠΡΟΕΙΔΟΠΟΙΗΣΗ:

- Η εκπομπή κραδασμών κατά τη χρήση του ηλεκτρικού εργαλείου σε πραγματικές συνθήκες μπορεί να διαφέρει από τη δηλωμένη τιμή εκπομπής ανάλογα με τον τρόπο χρήσης του εργαλείου.
- Φροντίστε να λάβετε τα κατάλληλα μέτρα προστασίας του χειριστή βάσει υπολογισμού της έκθεσης σε πραγματικές συνθήκες χρήσης (λαμβάνοντας υπόψη όλες τις συνιστώσες του κύκλου λειτουργίας όπως τους χρόνους που το εργαλείο είναι εκτός λειτουργίας και όταν βρίσκεται σε αδρανή λειτουργία πέραν του χρόνου ενεργοποίησης).

ENH101-16

#### Μόνο για χώρες της Ευρώπης

#### Δήλωση Συμμόρφωσης ΕΚ

Η Makita Corporation, ως ο υπεύθυνος κατασκευαστής, δηλώνει ότι το/τα ακόλουθο(α) μηχανήμα(τα) της Makita:

Χαρακτηρισμός μηχανήματος:

Περισταφικό σφύρι

Αρ. μοντέλου/ Τύπος: HR4003C, HR4013C

είναι εν σειρά παραγωγή και

**συμμορφώνονται με τις ακόλουθες Ευρωπαϊκές Οδηγίες:**

2006/42/EK

και κατασκευάζονται σύμφωνα με τα ακόλουθα πρότυπα ή έγγραφα τυποποίησης:

EN60745

Το τεχνικό πληροφοριακό υλικό διατηρείται από:

Makita International Europe Ltd.

Technical Department (Τεχνικό τμήμα),

Michigan Drive, Tongwell,

Milton Keynes, Bucks MK15 8JD, England (Αγγλία)

6.2.2013



Tomoyasu Kato

Διευθυντής

Makita Corporation

3-11-8, Sumiyoshi-cho,

Anjo, Aichi, 446-8502, JAPAN

**Genel görünüşün açıklanması**

1 Anahtar tetik	8 Yan sap	17 Toz üfleme aparatı
2 Anahtar düğme	9 Kilit somunu	18 Vidalar
3 Ayar kadranı	10 Yan tutamak	19 Siper kapağı
4 Değiştirme kolu	11 Uç şankı	20 Konektör
5 İşaretçi	12 Uç gresi	21 Vida
6 Güç AÇIK gösterge lambası (yeşil)	13 Uç	22 Krank kapağı koruması
7 Servis gösterge lambası (kırmızı)	14 Mandren kapağı	23 Kontrol plakası
	15 Derinlik mastarı	24 Krank kapağı
	16 Kilitleme düğmesi	25 Kırıcı gres

**ÖZELLİKLER**

Model		HR4003C	HR4013C
Kapasiteler	Karbür uç	40 mm	
	Karot uç	105 mm	
Yüksüz hız (dak <sup>-1</sup> )		250 – 500	
Dakikadaki darbe sayısı		1.450 – 2.900	
Toplam uzunluk		479 mm	
Net ağırlık		6,2 kg	6,8 kg
Emniyet sınıfı		□/II	

• Sürekli yapılan araştırma ve geliştirmelerden dolayı, burada belirtilen özellikler önceden bildirilmeksizin değiştirilebilir.

- Özellikler ülkeden ülkeye değişebilir.
- EPTA-Prosedürü 01/2003 uyarınca ağırlık

ENE044-1

**Kullanım amacı**

Bu alet tuğla, beton ve taş malzemelerde darbeli delme ve ayrıca yontma işlemleri için tasarlanmıştır.

ENF002-2

**Güç kaynağı**

Makinenin, yalnızca isim levhasında belirtilenle aynı voltajlı güç kaynağına bağlanması gerekir ve yalnızca tek fazlı AC güç kaynağıyla çalıştırılabilir. Çifte yalıtımlıdır ve bu sebeple topraklamasız prizlerle de kullanılabilirler.

GEA010-1

**Genel Elektrikli Alet Güvenliği**

**⚠ UYARI!** Tüm güvenlik uyarılarını ve tüm talimatları okuyun. Uyarılara ve talimatlara uyulmaması elektrik şoku, yangın ve/veya ciddi yaralanmalar ile sonuçlanabilir.

Tüm uyarıları ve talimatları ileride başvurmak için saklayın.

GEB007-7

**KIRICI DELİCİ MATKAP GÜVENLİK UYARILARI**

1. **Kulak koruyucuları takın.** Gürültüye maruz kalmak işitme kaybına neden olabilir.
2. **Aletle birlikte sağlanan yardımcı tutamak(lar) kullanın.** Kontrol kaybı yaralanmaya neden olabilir.
3. **Kesici aksesuarın görünmeyen kabloları ya da aletin kendi kordonuna temas etme olasılığı bulunan yerlerde çalışırken elektrikli aleti yalıtımlı kavrama yüzeylerinden tutun.** Kesici aksesuarın "akımlı" bir telle temas etmesi elektrikli aletin yalıtımsız metal kısımlarını "akımlı" hale getirebilir ve kullanıcıyı elektrik şokuna maruz bırakabilir.
4. **Sert bir başlık (emniyet baret), emniyet gözlüğü ve/veya yüz siperi takın. Normal gözlükler veya güneş gözlükleri koruyucu gözlük DEĞİLDİR. Bir toz maskesi ve kalın dolgu eldivenler takmanız kuvvetle tavsiye edilir.**
5. **Kullanmadan önce kalemin yerinde sabitlenmiş olduğundan emin olun.**
6. **Normal kullanım koşullarında bu alet titreşim üretmek için tasarlanmıştır. Vidalar kolayca gevşeyerek arıza veya kazaya neden olabilir. Kullanmadan önce vidaların sıklığını dikkatle kontrol edin.**
7. **Soğuk havada veya aletin uzun süre kullanılmamış olması durumunda, aleti bir süre yüksüz çalıştırarak ısıtın. Bu, yağı gevşetecektir. Gerekli ısıtma yapılmazsa, çekici işlemi zorlaşır.**
8. **Her zaman yere sağlam basın. Aleti yüksekte kullanırken, aşağıda kimsenin olmadığından emin olun.**
9. **Aleti her iki elinizle sıkıca tutun.**
10. **Ellerinizi hareketli kısımlardan uzak tutun.**

11. Aleti çalışır durumda bırakmayın. Aleti sadece elinizde tutarken çalıştırın.
12. Çalışırken aleti civardaki birine doğru tutmayın. Uç fırlayabilir ve birini ciddi şekilde yaralayabilir.
13. Kullanımdan hemen sonra uca veya uca yakın parçalara dokunmayın; çok sıcak olabilirler ve cildinizi yakabilirler.
14. Bazı malzemeler zehirli olabilen kimyasallar içerirler. Toz yutmayı ve cilt temasını önlemek için tedbir alın. Malzeme sağlayıcısının güvenlik bilgilerine uyun.

## BU TALİMATLARI SAKLAYIN.

### ⚠ UYARI:

Ürünü kullanırken (defalarca kullanınca kazanılan) rahatlık ve tanıdıklık duygusunun söz konusu ürünün güvenlik kurallarına sıkı sıkıya bağlı kalmanın yerine geçmesine İZİN VERMEYİN. YANLIŞ KULLANIM veya bu kullanma kılavuzunda belirtilen emniyet kurallarına uymama ciddi yaralanmaya neden olabilir.

## İŞLEVSEL AÇIKLAMALAR

### ⚠ DİKKAT:



- Alet üzerinde ayarlama ya da işleyiş kontrolü yapmadan önce aletin kapalı ve fişinin çekili olduğundan daima emin olun.

### Anahtar işlemleri (Şek. 1)

#### ⚠ DİKKAT:


- Makineyi fişe takmadan önce, anahtar tetiğinin düzgün çalıştığını ve serbest bırakıldığında "OFF" (kapalı) pozisyonuna geldiğini kontrol edin.


#### Anahtar tetik

Bu anahtar, alet  sembolü ve  sembolü modlarına ayarlandığında işlev görür.

Makineyi çalıştırmak için anahtar tetiği çekin. Durdurmak için anahtar tetiği bırakın.

#### Anahtar düğmesi (Şek. 2)

Bu anahtar, alet  sembolü moduna ayarlandığında işlev görür.

Alet  sembol modunda iken, anahtar düğmesi ileri doğru çıkar ve kırmızı renkte yanar.

Aleti başlatmak için anahtar düğmesine basın. Anahtar ışığı yeşil renkte yanar.

Aleti durdurmak için anahtar düğmesine tekrar basın.

#### Hız değişimi (Şek. 3)

Dakikadaki devir ve darbe sayısı ayar kadranı döndürülerek kolayca ayarlanabilir. Kadran 1'den (en düşük hız) 5'e kadar (tam hız) işaretlidir.

Ayar kadranı üzerindeki rakamlar ve dakikadaki devir/darbe sayısı arasındaki ilişki için aşağıdaki tabloya bakın.

Ayar kadranı üzerindeki rakam	Dakikadaki devir sayısı	Dakikadaki darbe sayısı
5	500	2.900
4	470	2.700
3	380	2.150
2	290	1.650
1	250	1.450

014134

### Sadece HR4013C modeli için

#### NOT:

- Yüksüz çalışmada dakikadaki darbe sayısı yüksek çalışma sırasında vibrasyonu azaltmak için daha düşük olabilir, ama bu bir sorun oluşturmaz. Uçla beton üzerinde çalışmaya başlandığında, dakikadaki darbe sayısı artar ve tablo gösterilen değerlere ulaşır. Sıcaklık düşük olduğunda ve gres yağının akıcılığı azaldığında, motor dönse bile alet bu işlevi gerçekleştiremeyebilir.

#### ⚠ DİKKAT:


- Alet, uzun bir süre boyunca sürekli olarak düşük hızda çalıştırılırsa, motor aşırı yüklenebilir ve alet bozulabilir.
- Hız ayarlama kadranı sadece 1 ile 5 arasında döndürülebilir. 1'in ya da 5'n ilerisine geçmeye zorlamayın, aksi takdirde hız ayar işlevi bozulabilir.

### Eylem modunu seçme


#### ⚠ DİKKAT:

- Alet çalışırken değiştirme kolunu çevirmeyin. Alet zarar görebilir.
- Mod değiştirme mekanizmasında aniden hasar oluşmasını önlemek için, değiştirme kolunun her zaman eylem modu konumlarından birinin üzerinde olduğundan emin olun.

#### Darbeleri delme modu (Şek. 4)

Beton, taş duvar, vb. delmek için değiştirme kolunu  sembolüne doğru döndürün. Tungsten-karbür uç kullandığınızdan emin olun.

#### Darbeleri delme modu (Anahtar tetikleyleyici modu) (Şek. 5)


Yontma, rasplama veya yıkma işlemleri için değiştirme kolunu  sembolüne doğru döndürün. Sivri keski, soğuk keski, yassı keski vb. kullanın.

#### Darbeleri delme modu (Anahtar düğme modu)

Sürekli olarak yontma, rasplama veya kırma işlemleri için, değiştirme kolunu  sembolüne doğru döndürün. (Şek. 6)

Anahtar düğmesi ileri doğru çıkar ve kırmızı renkte yanar. Sivri keski, soğuk keski, yassı keski vb. kullanın. (Şek. 7)

#### NOT:

- Aleti  sembol modunda kullanırken, anahtar tetik çalışmaz, sadece anahtar düğmesi çalışır.

#### Tork sınırlandırıcı

Tork belli bir seviyeye ulaştığında tork sınırlandırıcı etkinleşir. Motor çıkış şaftından ayrılır. Bu durum gerçekleştiğinde, uç dönmeyi bırakır.

### ⚠ DİKKAT:

- Tork sınırlandırıcı etkinleşir etkinleşmez aleti hemen kapatın. Bu, aletin erken aşınmasını önlemeye yardımcı olur.

### Gösterge lambası (Şek. 8)

Yeşil renkte yanan güç AÇIK göstergesi alet fişe takıldığında yanmaya başlar. Gösterge lambası yanmıyorsa, kablo ya da kontrolör hasarlı olabilir.

Yeşil renkli gösterge lambası yanıyor fakat alet açık konuma getirilse de çalışmıyorsa, karbon fırçalar aşınmış olabilir ya da kontrolör, motor veya açma/kapama anahtarı hasarlı olabilir.

Bu belirtiler ortaya çıkarsa, aleti kullanmayı hemen bırakın ve yerel servis merkezimize başvurun.

Karbon fırçaların aşınması arttığında kırmızı servis gösterge lambası yanarak aletin servise götürülmesi gerektiğini belirtir. Bir süre kullandıktan sonra, motor otomatik olarak kapanır.

### MONTAJ

#### ⚠ DİKKAT:

- Alet üzerinde herhangi bir iş yapmadan önce aletin kapalı ve fişinin çekili olduğundan daima emin olun.

### Yan sap (Şek. 9)

#### ⚠ DİKKAT:

- Yan tutamağı sadece yontma, raspalama veya kırma sırasında kullanın. Beton, taş duvar, vb. delmek için kullanmayın. Delme işlemi sırasında alet yan saptan düzgün bir şekilde tutulamaz.

Yan sap istenen konumda sabitlenecek şekilde eksenli etrafında 360° döndürülebilir. Ayrıca yatay konumda da sekiz farklı konumda ileri ve geri sabitlenebilir. Bunun için sadece sıkıştırma somununu gevşetin ve yan tutamağı istediğiniz konuma hareket ettirir. Ardından sıkıştırma somununu iyice sıkılayın. (Şek. 10)

### Yan tutamak (Şek. 11)

#### ⚠ DİKKAT:

- Beton, taş vb. malzemeleri delerken çalışma güvenliğini sağlamak için daima yan tutamaki kullanın.

Yan tutamak her iki tarafa doğru hareket ederek aletin her konumda daha kolay kullanılmasını sağlar. Sapı saatin aksi yönde döndürerek gevşetin, istenen konuma hareket ettirin ve ardından saat yönünde döndürerek sıkıştırın.

### Ucun takılması veya çıkarılması

Ucu takmadan önce uç şankını temizleyin ve uç gresi uygulayın. (Şek. 12)


Ucu alete takın. Ucu döndürün ve yerine oturana kadar itin.


Uç itilemiyorsa çıkarın. Mandren kapağını birkaç kez aşağı doğru çekin. Ardından ucu tekrar takın. Ucu döndürün ve yerine oturana kadar itin.

Taktıktan sonra, mutlaka çekip çıkarmaya çalışarak ucun yerine sağlam bir şekilde oturduğundan emin olun. (Şek. 13)

Ucu çıkarmak için, mandreni an alt noktasına kadar çekin ve ucu çekip çıkarın. (Şek. 14)

### Uç açısı (yontma, raspalama veya kırma sırasında)

Uç 24 farklı açıda sabitlenebilir. Uç açısını değiştirmek için, değiştirme kolunu işaret  sembolüne bakacak şekilde döndürün. Ucu istenen açığa doğru döndürün. (Şek. 15)

Değiştirme kolunu işaret  sembolüne bakacak şekilde döndürün. Ardından hafifçe döndürerek ucun yerine sağlam bir şekilde oturduğundan emin olun. (Şek. 16)

### Derinlik mastarı

Derinlik mastarı eşit derinlikte delikler delmeye yarar.

Kilitleme düğmesine bastırın ve basılı tutun, derinlik mastarını altıgen deliğe yerleştirin. (Şek. 17)

Derinlik mastarının dişli tarafının işarete baktığından emin olun.

Kilitleme düğmesine basarken derinlik mastarını ileri geri hareket ettirerek ayarlayın. Ayarladıktan sonra, kilitleme düğmesini serbest bırakarak derinlik mastarını kilitleyin. (Şek. 18)

### NOT:


- Derinlik mastarını dişli yuvasına/motor yuvasına çarpacağı konumda kullanılamaz.

### KULLANIM

#### ⚠ DİKKAT:

- Kullanmadan önce iş parçasının sabit olduğundan, stabil durduğundan emin olun. Cisimlerin sıçraması yaralanmaya neden olabilir.
- Uç sıkışsa bile aleti çok fazla güç kullanarak çekmeyin. Kontrol kaybı yaralanmaya neden olabilir.

### Darbeli delme çalışması (Şek. 19)

Değiştirme kolunu  sembolüne doğru ayarlayın.

Ucu delmek istediğiniz noktaya yerleştirin ve ardından anahtar tetiği çekin.

Aleti zorlamayın. En iyi sonucu almak için hafif bir basınç uygulamanız yeterlidir. Aletin konumunu koruyun ve deliğin dışına kaymasını önleyin.

Delik talaş ya da parçacıklardan dolayı tıkanırsa daha fazla basınç uygulamayın. Bunun yerine aleti rölantide çalıştırın ve ardından ucu kısmen delikten çıkarın. Bunu birkaç kez tekrarladığınızda delik temizlenir ve normal delme işlemine devam edilebilir.

#### ⚠ DİKKAT:

- Deliğin delinmesi sırasında, delik talaş ya da parçacıklar tarafından tıkanırsa ya da betonun içine gömülü takviye demirlerine denk gelirse, alete/ucu güçlü ve ani bir dönüş gücü binebilir. Çalışırken daima yan sapı (yardımcı tutamak) kullanın ve işlemler sırasında aleti hem yan saptan hem de anahtar kabzasından sıkıca kavrayın, yere sağlam basın ve dengenizi koruyun. Bunu yapmazsanız aletin kontrolünü kaydedebilir ve ciddi şekilde yaralanmaya neden olabilirsiniz.

### Toz üfleme aparatı (isteğe bağlı aksesuar) (Şek. 20)

Deliği deldikten sonra, deliğin içindeki tozu temizlemek için toz üfleme aparatını kullanın.

## Yontma/Raspalama/Kırma (Şek. 21)

Değiştirme kolunu ① ya da ② sembolüne doğru ayarlayın.

Makineyi iki elle sıkıca tutun. Aleti çalıştırın ve aletin kontrolsüz bir şekilde hareket etmemesi için alet üzerine hafif bir baskı uygulayın. Aletin üzerine çok sert bastırmak verimi artırmayacaktır.

## BAKIM

### ⚠ DİKKAT:

- Muayene ya da bakım yapmadan önce aletin kapalı ve fişinin çekili olduğundan daima emin olun.
- Benzin, tiner, alkol ve benzeri maddeleri kesinlikle kullanmayın. Renk değişimi, deformasyon veya çatlaklar oluşabilir.

## Yağlama

### ⚠ DİKKAT:

- Bu servis işlemleri sadece Makita yetkili servis merkezlerinde yapılmalıdır.
- Yağlamayı çalışmanın hemen ardından yapmayın, alet soğuyana kadar bekleyin. Aksi takdirde cilt yanıkları meydana gelebilir.

Bu alet saatlik ya da günlük yağlama gerektirmez çünkü yağ depo eden bir yağlama sistemine sahiptir. Ancak, daha uzun bir alet ömrü için gres yağının ve karbon fırçaların periyodik olarak değiştirilmesi gereklidir.

(HR4003C modeli için) Altı vidayı gevşetin ve tutamağı çıkarın. (Şek. 22)

(HR4013C modeli için) Sekiz vidayı gevşetin. Tabloda belirtilen kalınlıklarda çalışın. Ardından tutamağı çıkarın. (Şek. 23 ve 24)

Konektörü iterek çıkarın. (Şek. 25)

Vidaları gevşetin ve değiştirme kolunu çıkarın.

Krank kapağı korumasını çıkarın. (Şek. 26)

Kontrol plakasını çıkarın. (Şek. 27)

Altı vidayı gevşetin ve krank kapağını çıkarın. Aleti masaya bırakırken ucu yukarı bakacak şekilde koyun. Böylece eski gres yağı krank yuvasında toplanır. (Şek. 28)

İçindeki eski gres yağını silip temizleyin ve yeni gres yapı koyun (30 g). Sadece orijinal Makita kırıcı yağı (isteğe bağlı aksesuar) kullanın. Belirtilen miktardan (yaklaşık 30 g) daha fazla yağ eklenmesi darbeleri delme eyleminde sorunlara ya da aletin bozulmasına neden olabilir. Sadece belirtilen miktar kadar gres yağı ekleyin.

Çıkarılan tüm parçaları yeniden takın. (Şek. 29)

Konektörü takın ve tutamağı tekrar monte edin. (Şek. 30)

### NOT:

- Farklı uzunluklarda vidalar kullanıldığını unutmayın.

### ÖNEMLİ NOT

- Krank kapağını aşırı derecede sıkmayın. Reçineden yapılmıştır ve kırılabilir.
- Özellikle eski gres yağını silerken veya tutamağı takarken konektöre veya kablolarla zarar vermemeye dikkat edin.

Aleti EMNİYETLİ ve ÇALIŞMAYA HAZIR durumda tutmak için onarımlar, başka her türlü bakım ve ayarlamalar daima Makita yedek parçaları kullanılarak Makita yetkili servis merkezleri tarafından yapılmalıdır.

## İSTEĞE BAĞLI AKSESUARLAR

### ⚠ DİKKAT:

- Bu aksesuarların veya ek parçaların bu kılavuzda belirtilen Makita aletinizle birlikte kullanılması tavsiye edilir. Başka aksesuarların veya ek parçaların kullanılması insanlar için yaralanma riski oluşturabilir. Aksesuarları veya ek parçaları sadece belirtilen amaçları için kullanın.

Bu aksesuarlarla ilgili daha fazla bilgiye ihtiyaç duyarsanız, bulunduğunuz yerdeki Makita Servis Merkezinden yardım isteyin.

- SDS-Max Karbür uç
- SDS-Max sivri keski
- SDS-Max soğuk keski
- SDS-Max yassı keski
- SDS-Max fayans keskisi
- SDS-Max kürek keski
- Kırıcı gres
- Uç gresi
- Yan sap
- Yan tutamak
- Derinlik mastarı
- Toz üfleme aparatı
- Koruyucu gözlük
- Taşıma kılıfı
- Toz çekme ek parçası

### NOT:

- Listedeki bazı parçalar standart aksesuar olarak ürün paketinin içine dahil edilmiş olabilir. Aksesuarlar ülkeden ülkeye farklılık gösterebilir.

ENG905-1

## Gürültü

EN60745 uyarınca hesaplanan tipik A-ağırlıklı gürültü düzeyi:

Ses basınç seviyesi ( $L_{pA}$ ): 92 dB (A)

Ses gücü düzeyi ( $L_{WA}$ ): 103 dB (A)

Belirsizlik (K): 3 dB (A)

### Kulak koruyucusu takın

ENG900-1

## Titreşim

EN60745 standardına göre hesaplanan titreşim toplam değeri (üç eksenli vektör toplamı):

### HR4003C modeli

Çalışma modu: yan sap ile yontma işlevi

Titreşim emisyonu ( $a_{h,CHeg}$ ): 9,0 m/s<sup>2</sup>

Belirsizlik (K): 1,5 m/s<sup>2</sup>

Çalışma modu: yan tutamak ile yontma işlevi

Titreşim emisyonu ( $a_{h,CHeg}$ ): 9,0 m/s<sup>2</sup>

Belirsizlik (K): 1,5 m/s<sup>2</sup>

Çalışma modu: darbeleri beton delme

Titreşim emisyonu ( $a_{h,HD}$ ): 10,0 m/s<sup>2</sup>

Belirsizlik (K): 1,5 m/s<sup>2</sup>

### HR4013C modeli

Çalışma modu: yan sap ile yontma işlevi

Titreşim emisyonu ( $a_{h,CHeq}$ ): 4,5 m/s<sup>2</sup>

Belirsizlik (K): 1,5 m/s<sup>2</sup>

Çalışma modu: yan tutamak ile yontma işlevi

Titreşim emisyonu ( $a_{h,CHeq}$ ): 4,5 m/s<sup>2</sup>

Belirsizlik (K): 1,5 m/s<sup>2</sup>

Çalışma modu: darbeli beton delme

Titreşim emisyonu ( $a_{h,HD}$ ): 5,0 m/s<sup>2</sup>

Belirsizlik (K): 1,5 m/s<sup>2</sup>

ENG901-1

- Beyan edilen titreşim emisyon değeri standart test yöntemine uygun şekilde ölçülmüştür ve bir aleti bir başkasıyla karşılaştırmak için kullanılabilir.
- Beyan edilen titreşim emisyon değeri bir ön maruz kalma değerlendirmesi olarak da kullanılabilir.

#### ⚠ UYARI:

- Bu elektrikli aletin gerçek kullanımı sırasındaki titreşim emisyonu aletin kullanım biçimlerine bağlı olarak beyan edilen emisyon değerinden farklı olabilir.
- Gerçek kullanım koşullarındaki maruz kalmanın bir tahmini hesaplaması temelinde operatörü koruyacak güvenlik önlemlerini mutlaka belirleyin (çalışma döngüsü içerisinde aletin kapalı olduğu ve aktif durumda olmasının yanı sıra boşta çalıştığı zamanlar gibi, bütün zaman dilimleri göz önünde bulundurularak değerlendirilmelidir).

ENH101-16

### Sadece Avrupa ülkeleri için

#### EC Uygunluk Beyanı

**Sorumlu imalatçı olarak biz Makita Corporation beyan ederiz ki aşağıdaki Makita makine(ler):**

Makine Adı:

Kırıcı Delici

Model No./Tipi: HR4003C, HR4013C

seri üretilmişlerdir ve

**aşağıdaki Avrupa Direktiflerine uygundur:**

2006/42/EC

ve aşağıdaki standartlara veya standartlaştırılmış belgelere uygun olarak imal edilmişlerdir:

EN60745

Teknik dokümantasyon şurada muhafaza edilmektedir:

Makita International Europe Ltd.

Teknik Departman,

Michigan Drive, Tongwell,

Milton Keynes, Bucks MK15 8JD, İngiltere

6.2.2013



Tomoyasu Kato

Müdür

Makita Corporation

3-11-8, Sumiyoshi-cho,

Anjo, Aichi, 446-8502, JAPAN

**Makita Corporation**  
Anjo, Aichi, Japan

885222-998

[www.makita.com](http://www.makita.com)

IDE