



Brad type: F16 (16 Gauge) Straight Brads  
 Wire Ø: 1.53mm

### Suitable for the following tools\*:

Paslode 3250/65 F16Q, FN1665, FN1665.1  
 FN1650.1, IM65 F16 (Lithium)  
 IM250 II

haubold SKN50 L-I/16, SKN64 A/16


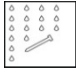

Duo-Fast LFN SS764

*\*please check staple length compatibility with each tool before use*

Brad lengths available: 15mm – 65mm

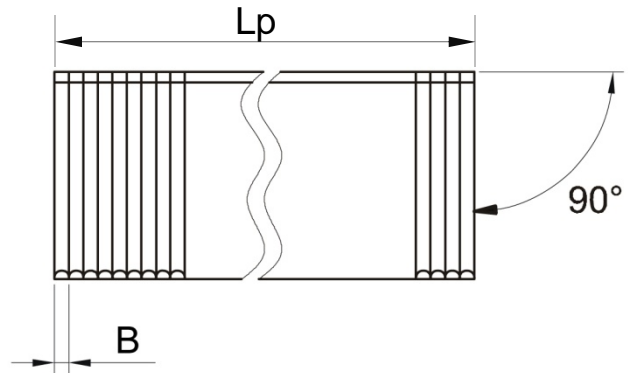
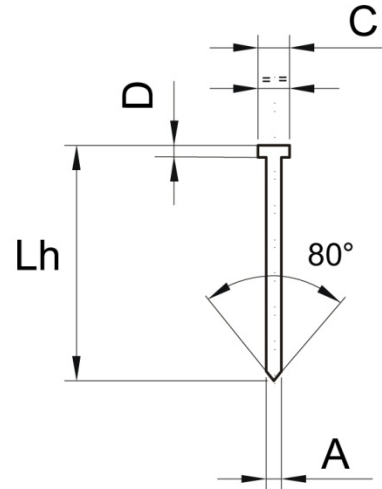
Brads per strip: 50

## CORROSION PROTECTION

Finish	Usage Environment	Label Colour on Packaging
Zinc Galv 1-2µm	INDOOR 	Blue
Stainless Steel A2 AISI 304 / WNr 1.4301	INDOOR, COVERED OUTDOOR & OUTDOOR 	Yellow
Stainless Steel A4 AISI 316 / WNr 1.4401	INDOOR, COVERED OUTDOOR & OUTDOOR 	Yellow

## BRAD PROPERTIES / DIMENSIONS

Tensile strength of wire:	min 800 N/mm <sup>2</sup>
Wire diameter (d):	1.53mm
Flattened wire dimension:	(A): 1.36mm (B): 1.63mm
Head height (D):	1.00mm
Head width (C):	2.80mm
Strip length (LP):	50 brads
Standard point:	Diamond
Standard brad lengths (Lh):	15mm – 65mm



## BRAD LENGTHS AVAILABLE\*

Finish	Lengths Available <small>*Other lengths on request</small>
Zinc Galv 1-2µm	15mm, 20mm, 25mm, 30mm, 32mm, 35mm, 38mm, 40mm, 45mm, 50mm, 60mm, 65mm
Stainless Steel A2 AISI 304 / WNr 1.4301	15mm, 25mm, 30mm, 32mm, 35mm, 38mm, 40mm, 50mm, 60mm
Stainless Steel A4 AISI 316 / WNr 1.4401	20mm, 25mm, 30mm, 35mm, 40mm, 50mm

Paslode is a brand of the ITW Group. ITW reserves the right to change specification without notice. All design using this data should be carried out by a qualified structural engineer, subject to relevant National and European standards or regulations.